

NOTES ON PHASES 2 and 3:

- (1) The Common Property of Phases 1, 2 & 3 will include 165 outdoor parking spaces. The spaces will be distributed throughout the Development and cannot be conveniently shown on a plan of this scale.
- (2) Each building will contain 5 strata lots (2 on level 1, 2 on level 2 and 1 on level 3).
- (3) All strata lots will be equal in size (36.83m²).

SKETCH SHOWING PHASES OF STRATA DEVELOPMENT ON

LOT 31, BLOCK 'F', D.L. 4749.

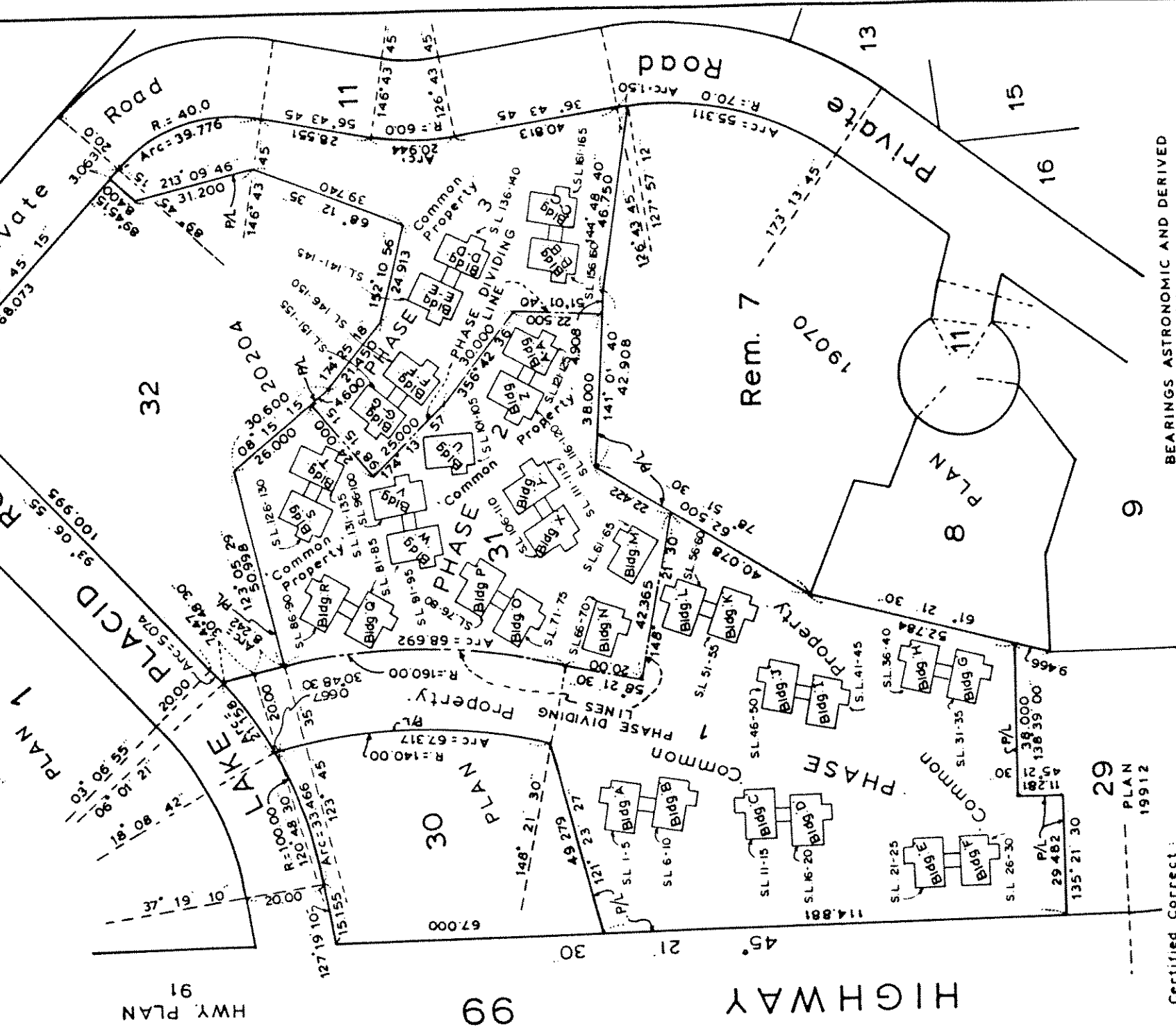
Plan 20204, GP. 1, N.W.D.

Whistler, B.C.

SCALE: 1:1000 (Metric)



PLAN 1 18962



Certified Correct:

Alb Sumner
B.L.S.

November 28th 1984 Date

This plan lies within the
SQUAMISH - LILLOOET
Regional District

BEARINGS ASTRONOMIC AND DERIVED
FROM PLAN 20204.

HERMON, BUNBURY & OKE
DOM & B.C. LAND SURVEYORS
VANCOUVER B.C.

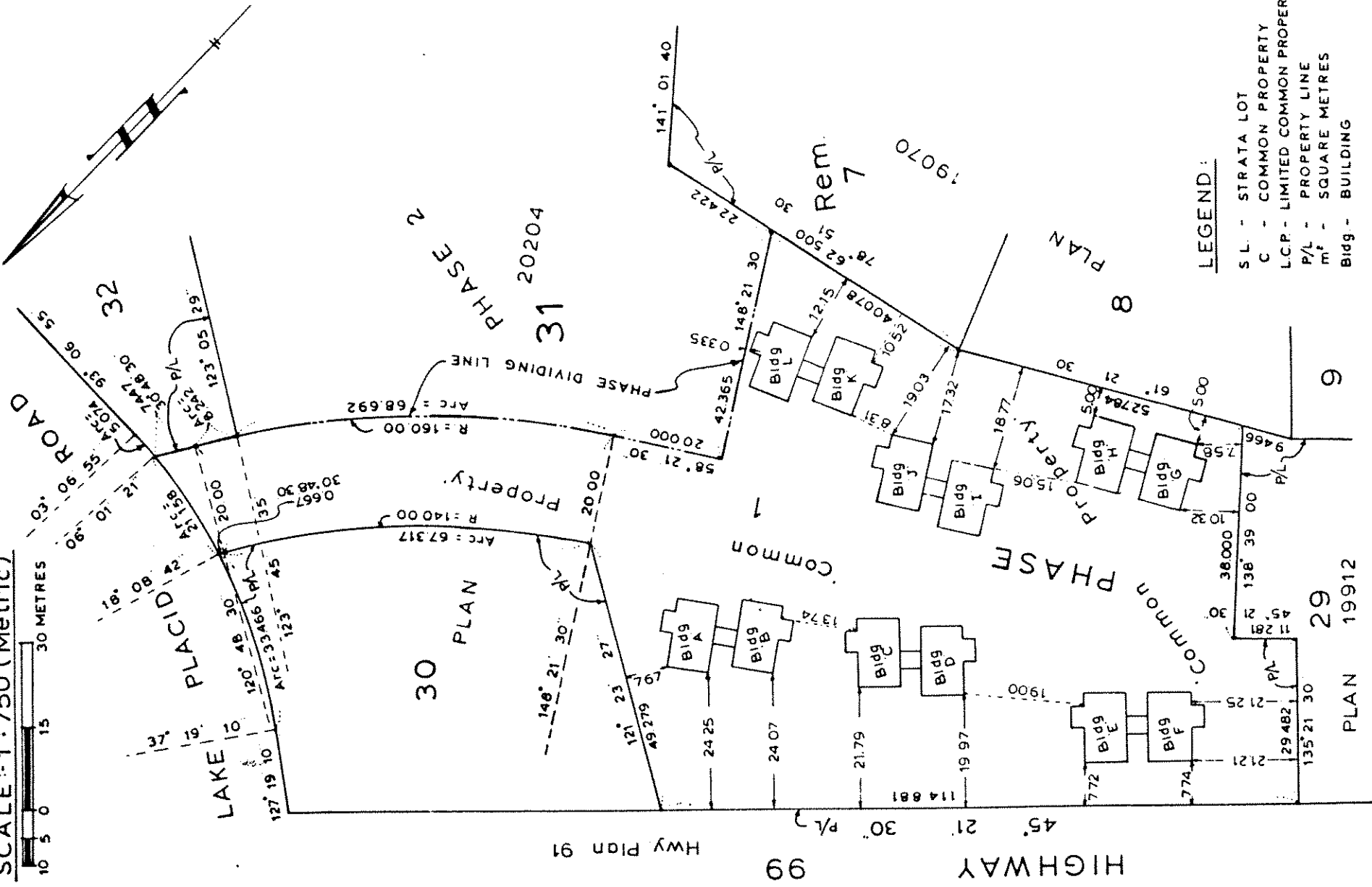
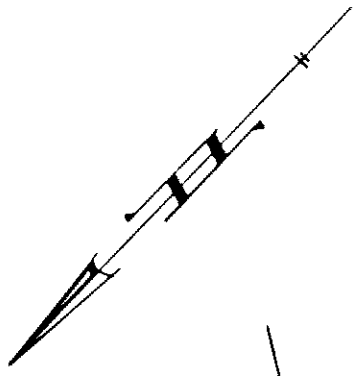
S-3906 (J.84577)

PHASE 1

BUILDING LOCATION:

V.R.

SCALE: 1:750 (Metric)



LEGEND:

- S.L. - STRATA LOT
- C - COMMON PROPERTY
- L.C.P. - LIMITED COMMON PROPERTY
- P/L - PROPERTY LINE
- m² - SQUARE METRES
- Bldg - BUILDING

- DECKS AND STAIRWAYS ARE NOT INCLUDED IN STRATA LOTS

Handwritten signature

November 28th 1984

S-3907.0

PHASE 1

BUILDINGS 'A' And 'B'

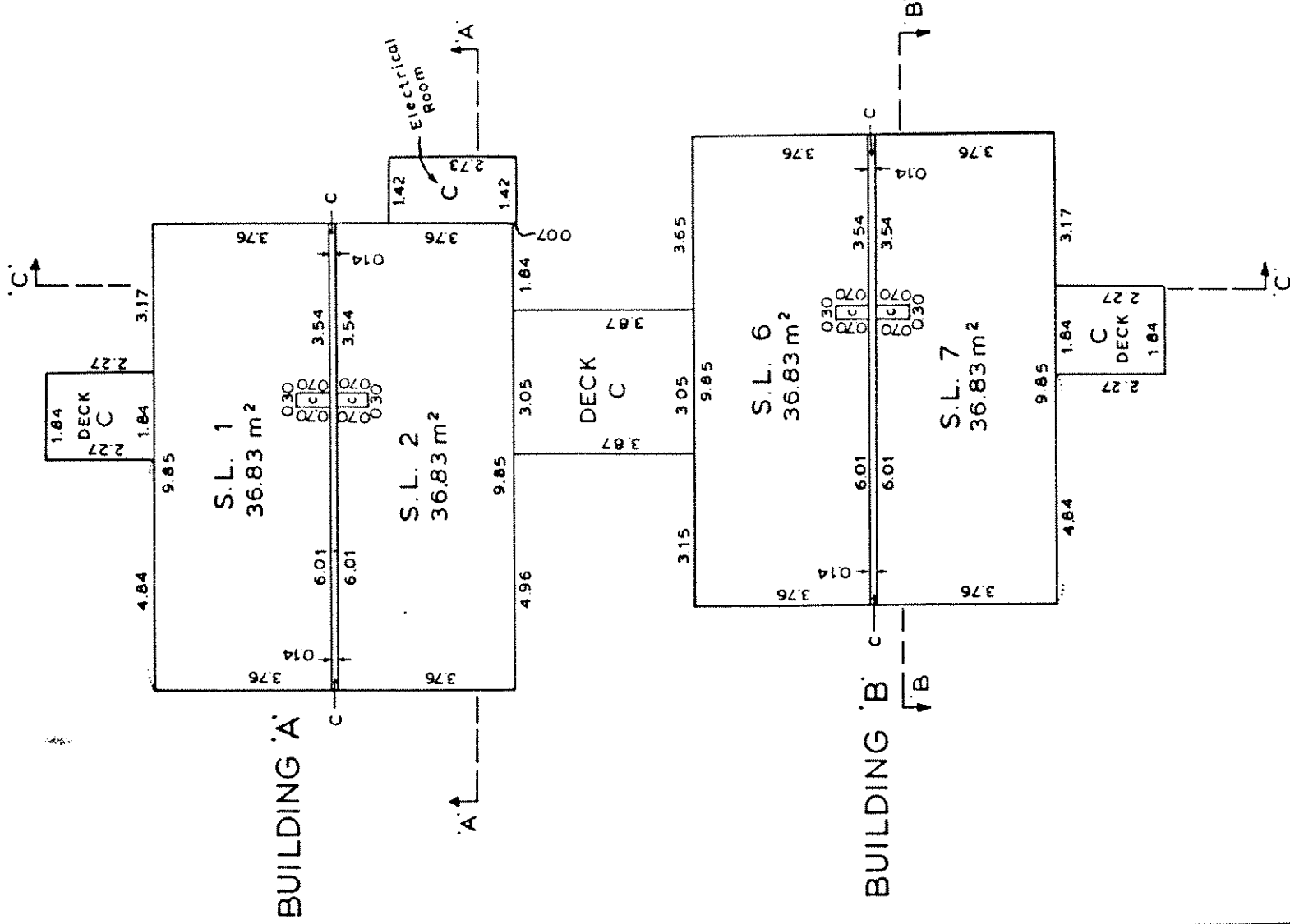
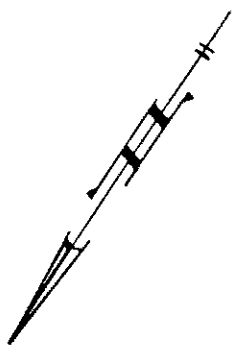
LEVEL 1 :

SCALE: 1:100 (Metric)



Sheet 5 of 30 Sheets
STRATA PLAN

V.R.



November 28th 1984

S-3907.9

aab

PHASE 1

BUILDINGS 'A' And 'B'

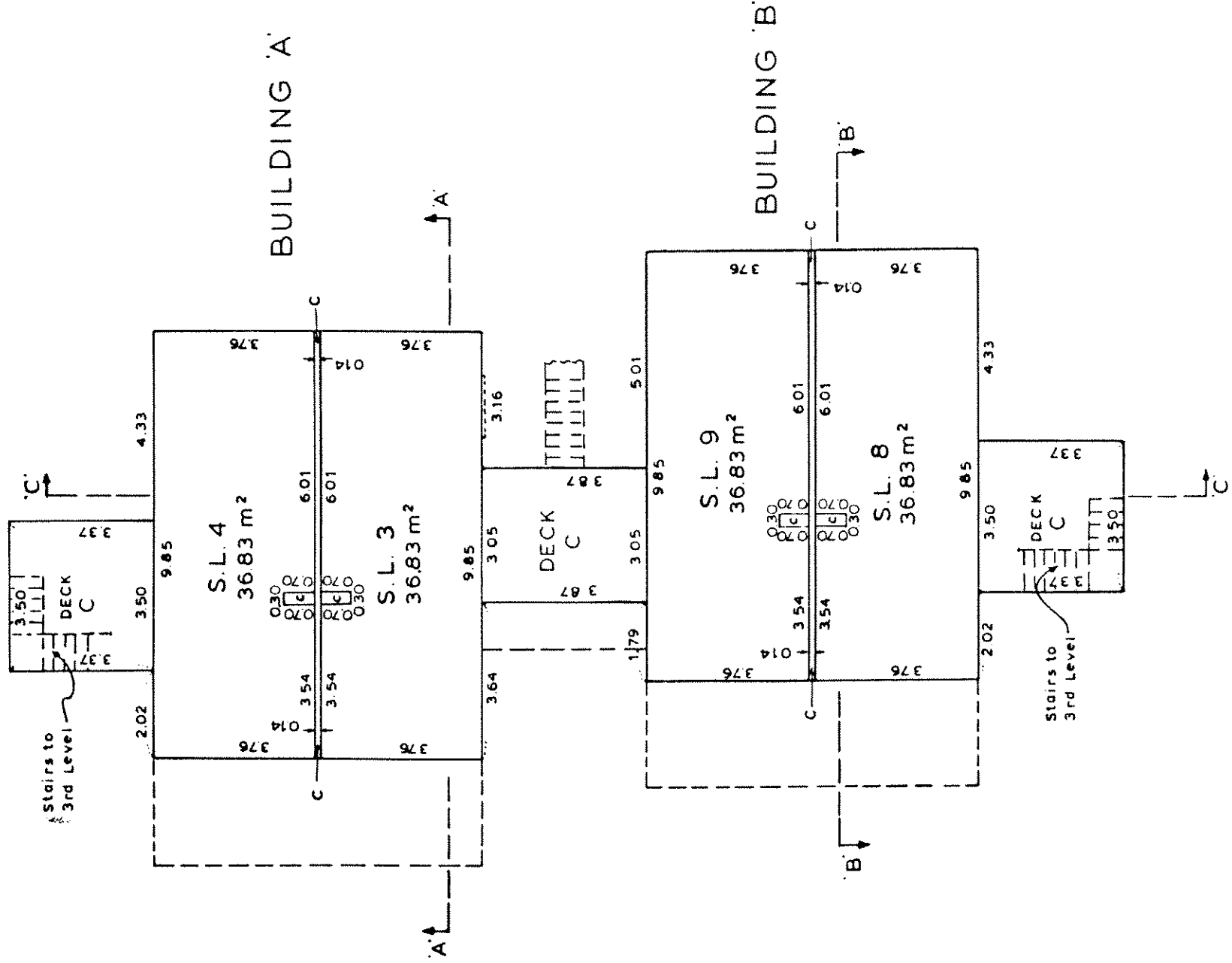
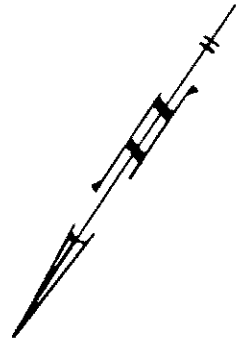
LEVEL 2 :

SCALE: 1:100 (Metric)

Sheet 6 of 30 Sheets

STRATA PLAN

V.R.



November 28th 1984

S-3907.0

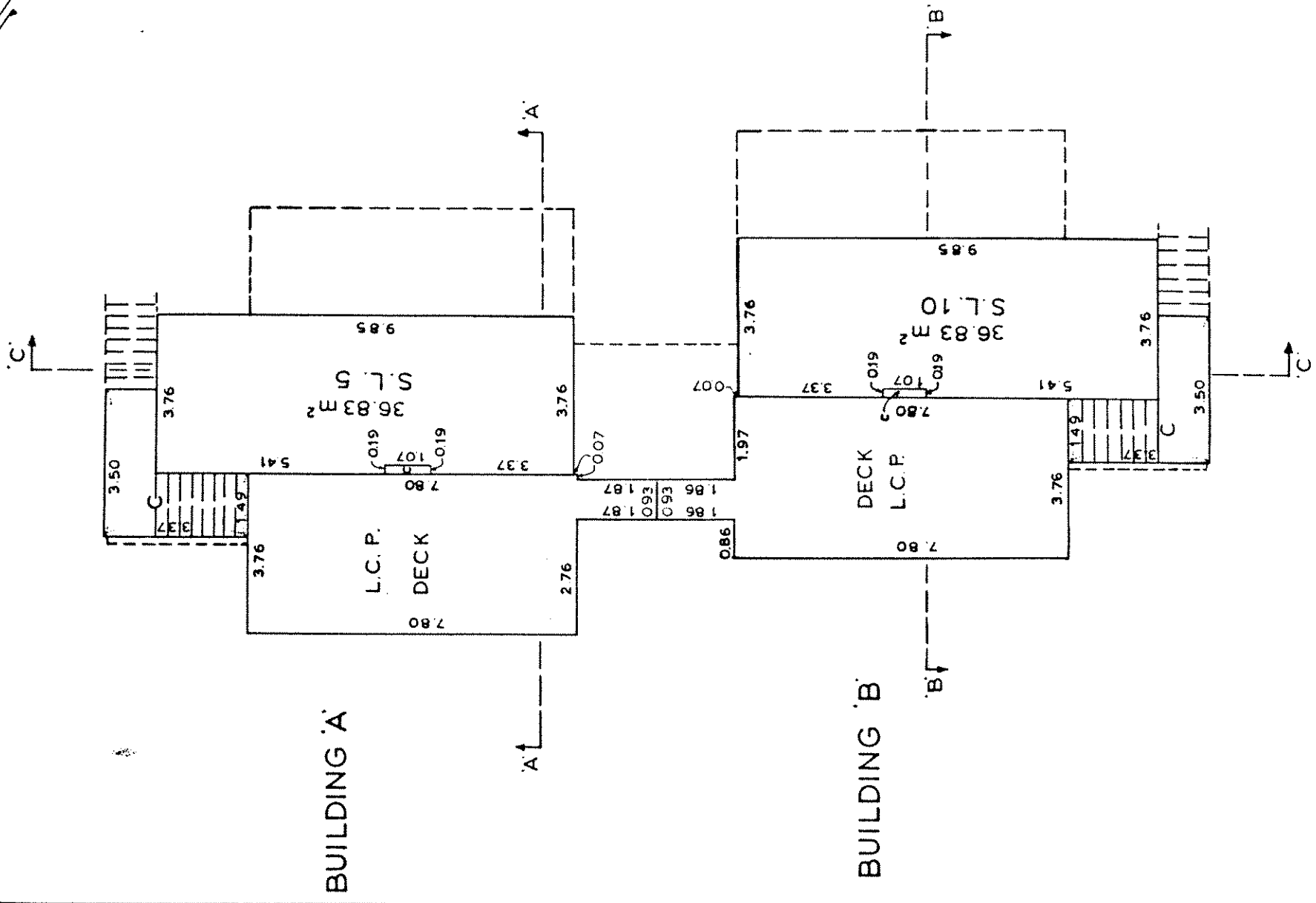
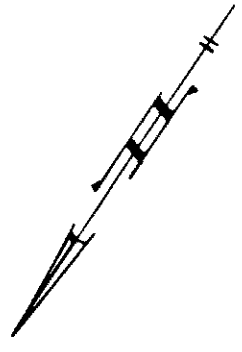
12

V.R.

BUILDINGS 'A' And 'B'

LEVEL 3:

SCALE: 1:100 (Metric)



November 28th 1984
alob

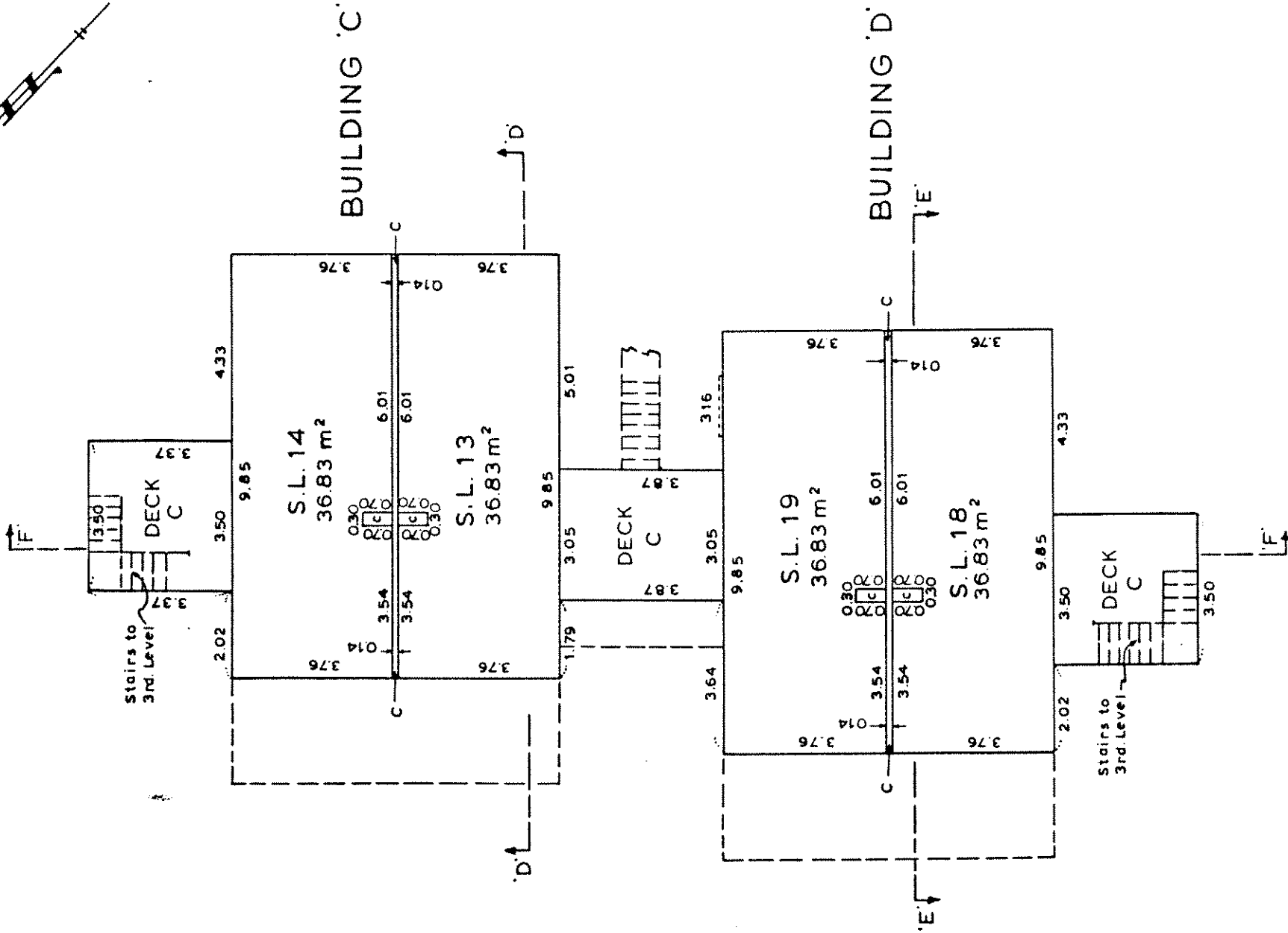
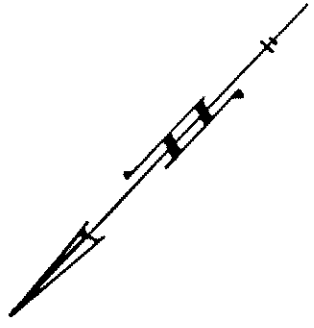
S-3907.0

PHASE 1
BUILDINGS 'C' And 'D'

V.R.

LEVEL 2:

SCALE: 1:100 (Metric)

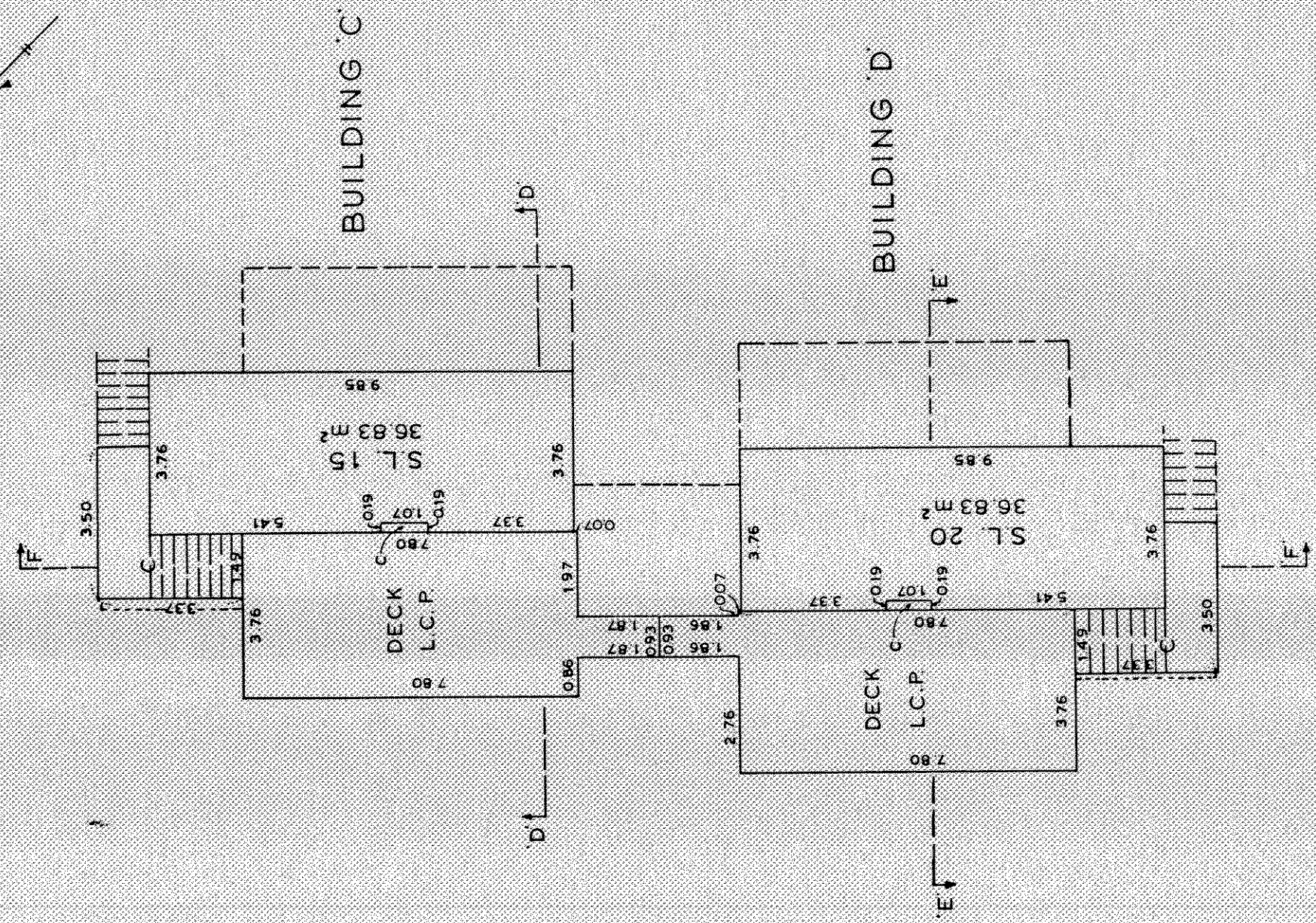
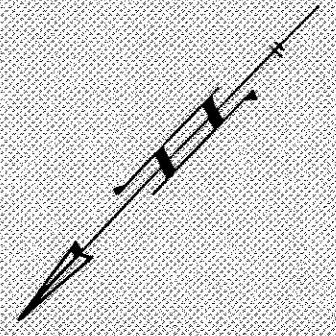


gab

PHASE 1
BUILDINGS 'C' And 'D'

LEVEL 3:

SCALE - 1:100 (Metric)



aur

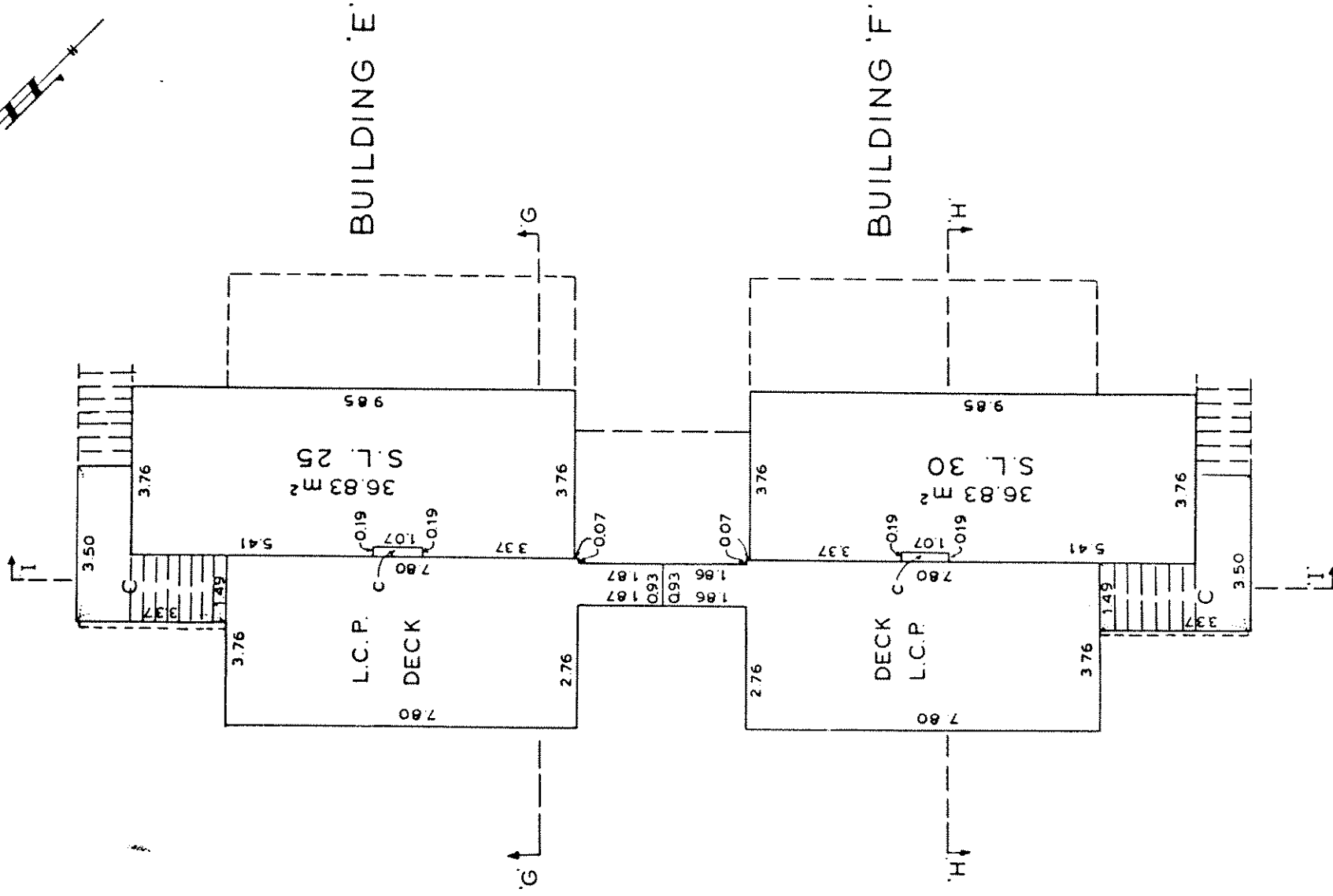
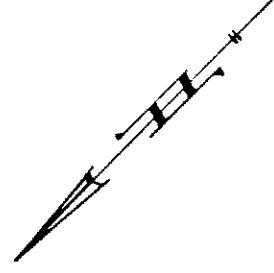
November 26th 1964

S-3907.©

PHASE 1
BUILDINGS 'E' And 'F'

LEVEL 3:

SCALE: 1:100 (Metric)

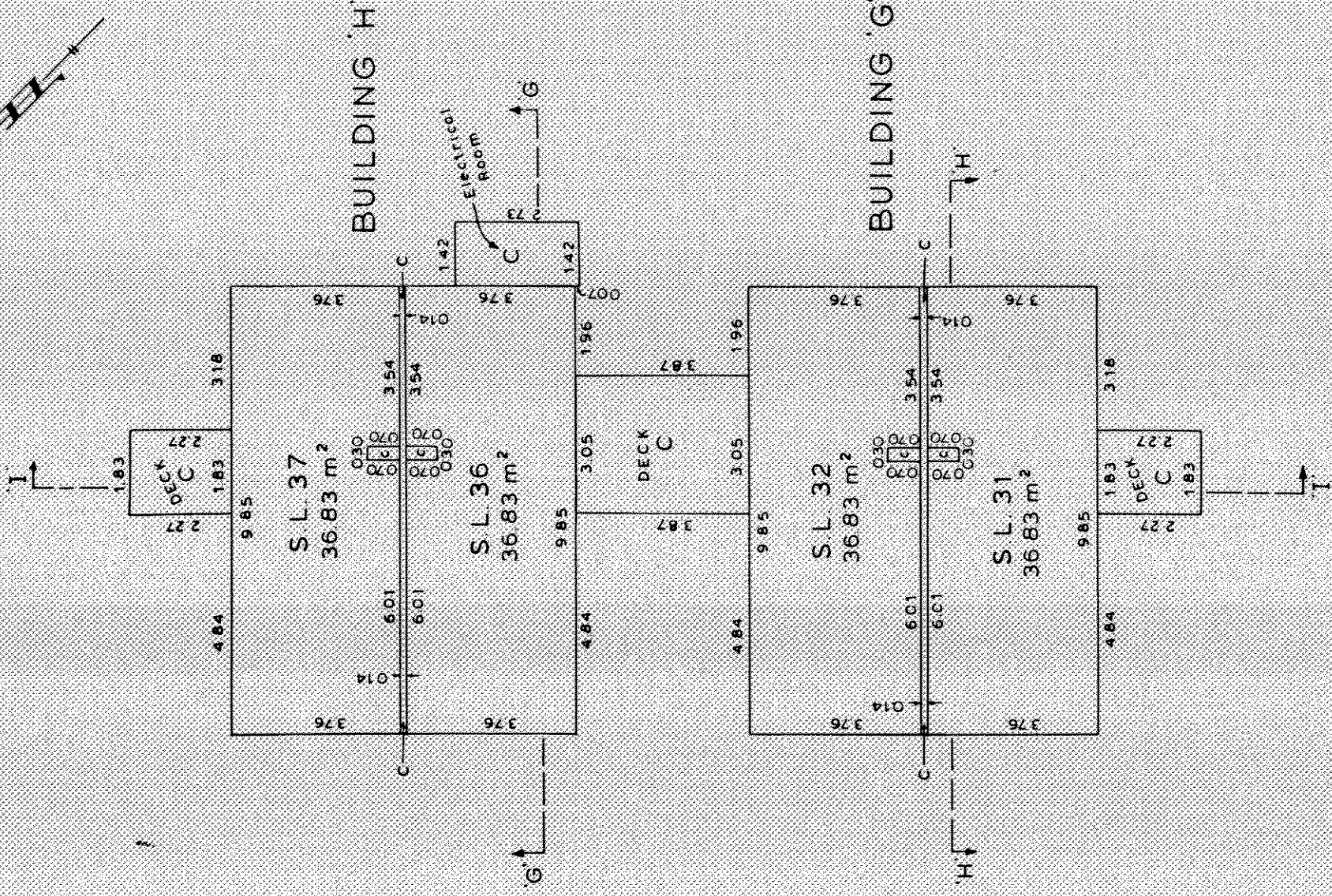
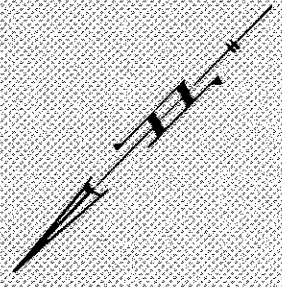


PHASE 1
BUILDINGS 'G' AND 'H'
LEVEL 1:

V.R.

LEVEL 1:

SCALE: 1:100 (Metric)



November 28th 1984
gab

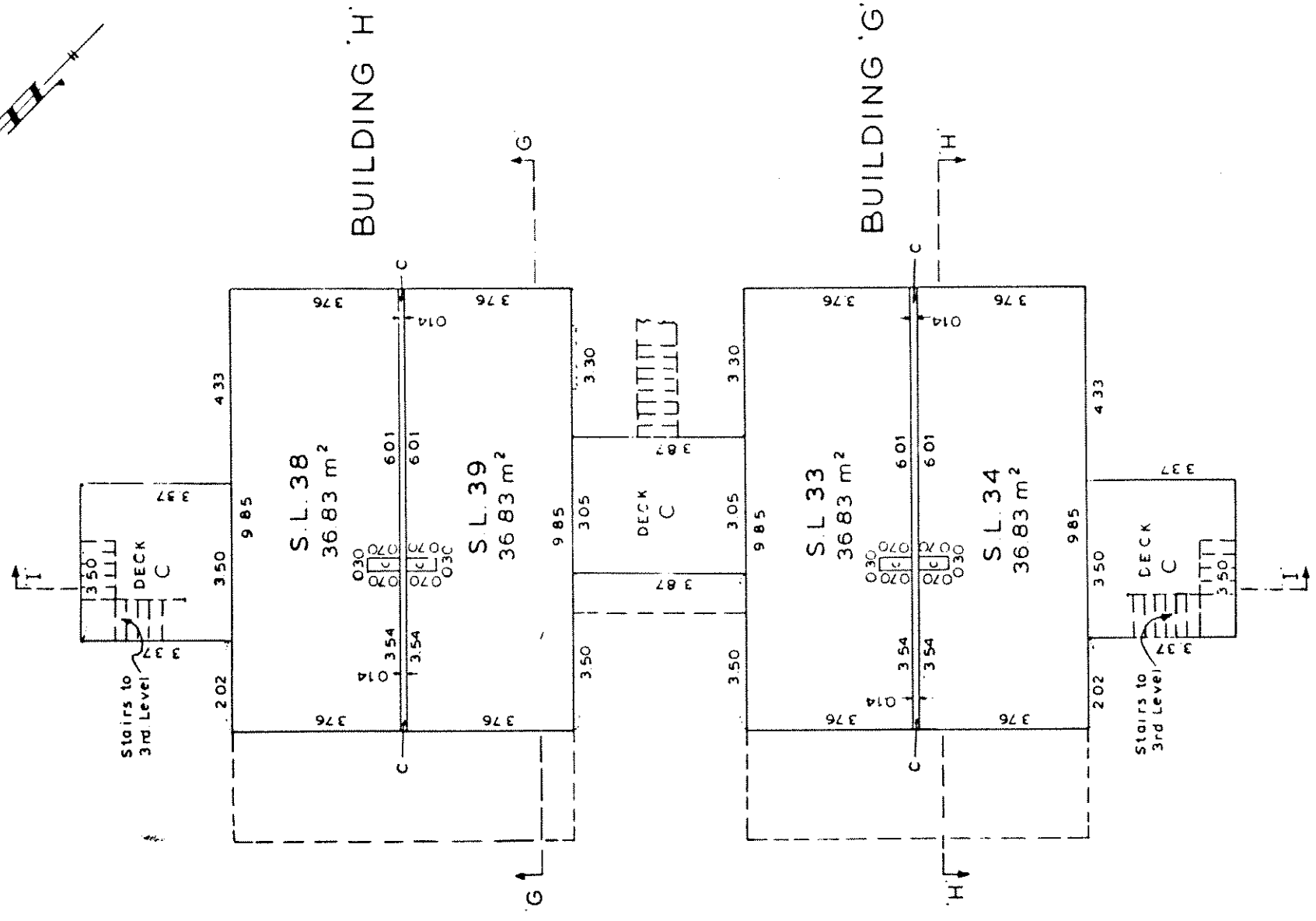
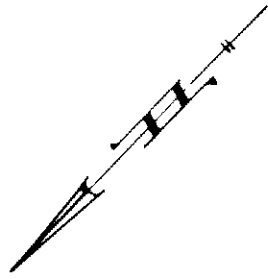
S-3907-9

PHASE 1
BUILDINGS 'G' And 'H'

V.R.

LEVEL 2:

SCALE: 1:100 (Metric)

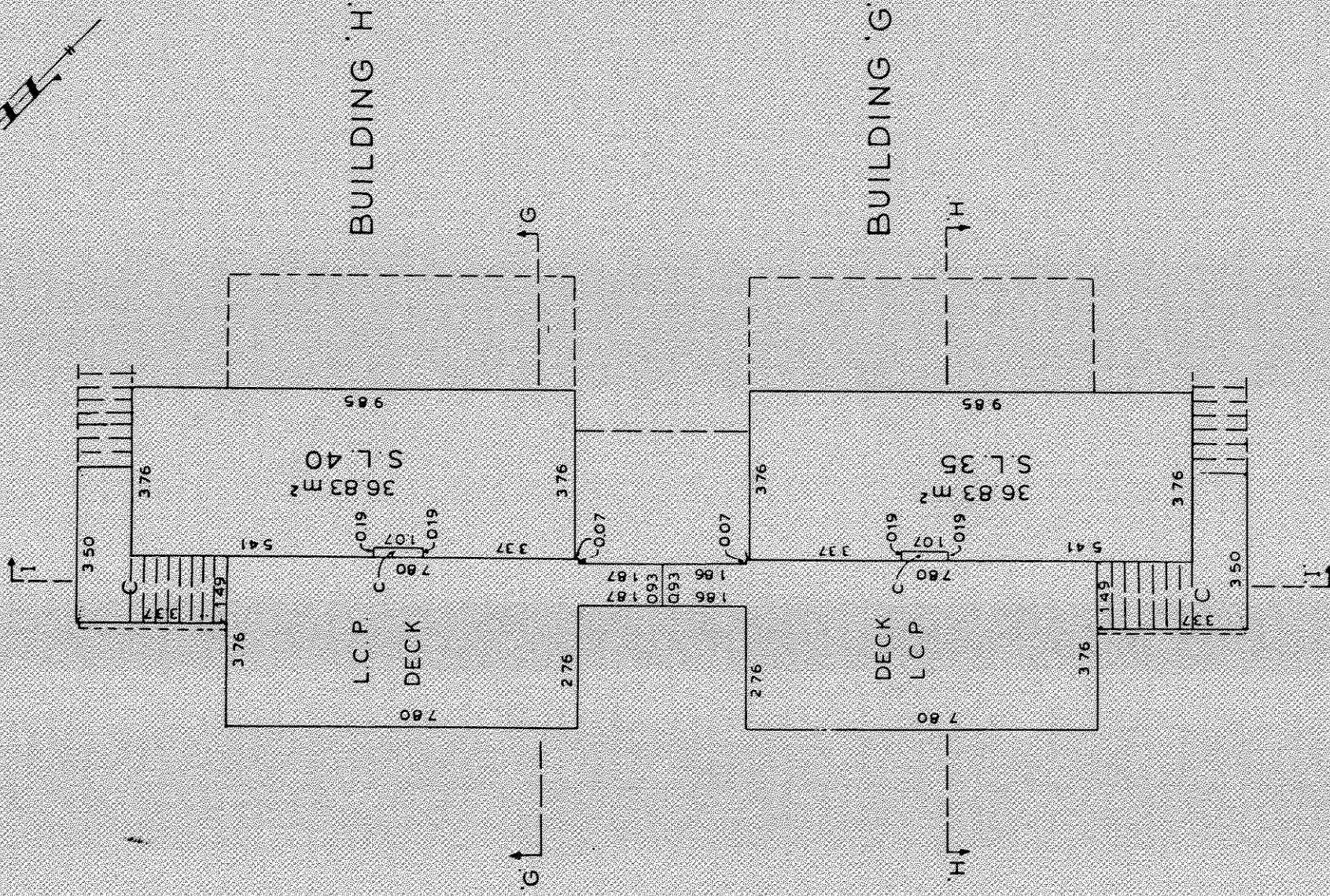
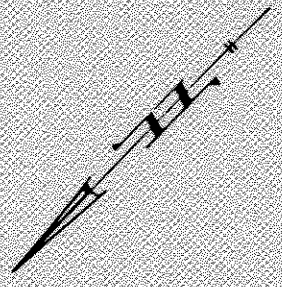


PHASE 1
BUILDINGS 'G' And 'H'

V.R.

LEVEL 3:

SCALE - 1:100 (Metric)



November 26th 1984
Bob

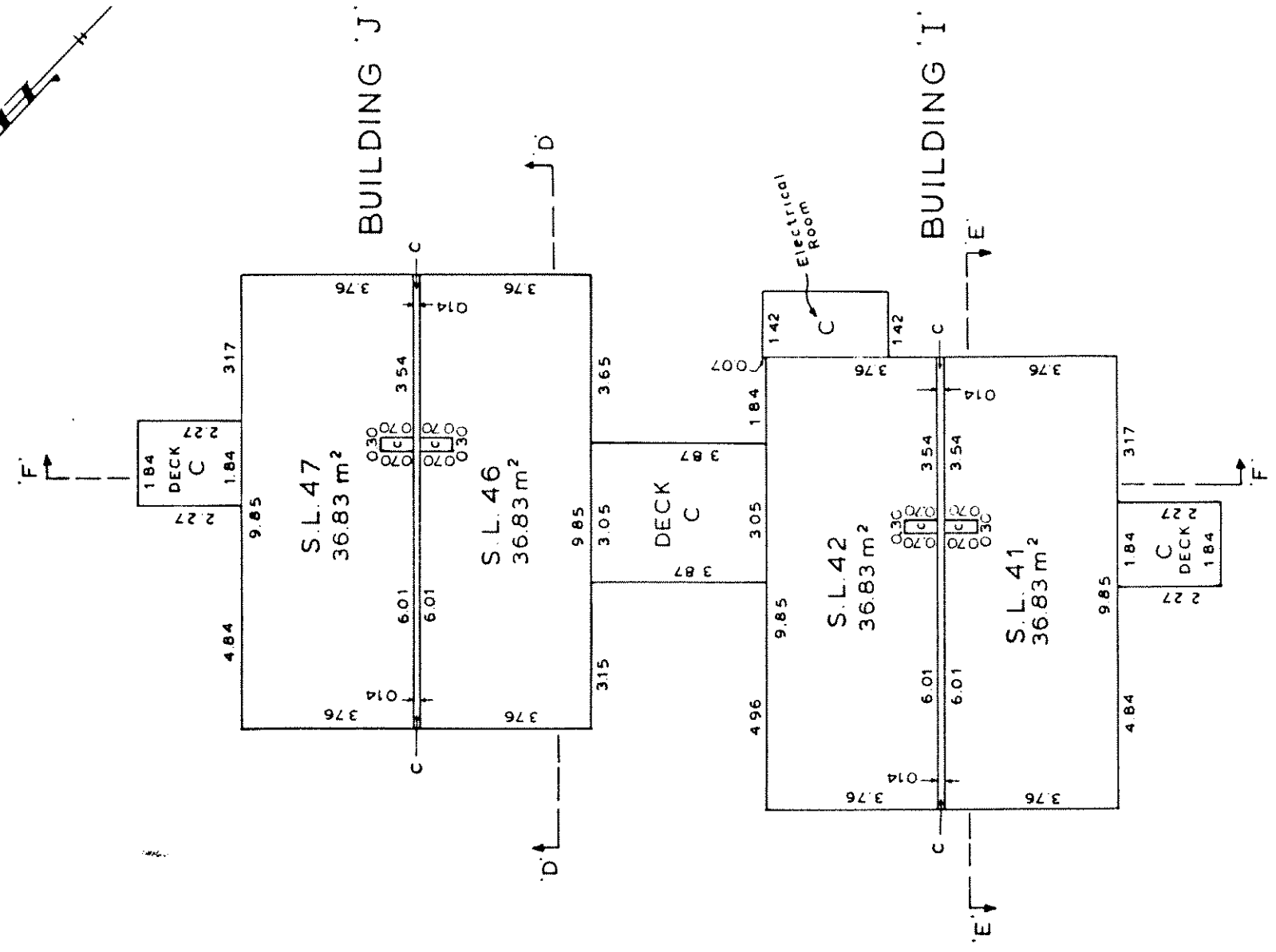
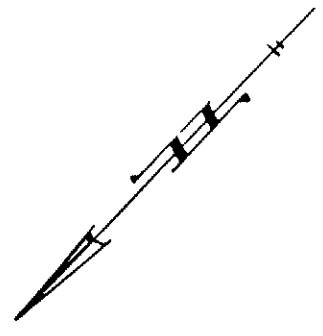
S-3907.0

PHASE 1
BUILDINGS 'I' And 'J'

Sheet 17 of 30 Sheets
STRATA PLAN
V.R.

LEVEL 1 :

SCALE: 1:100 (Metric)



November 28th 1984

alsh

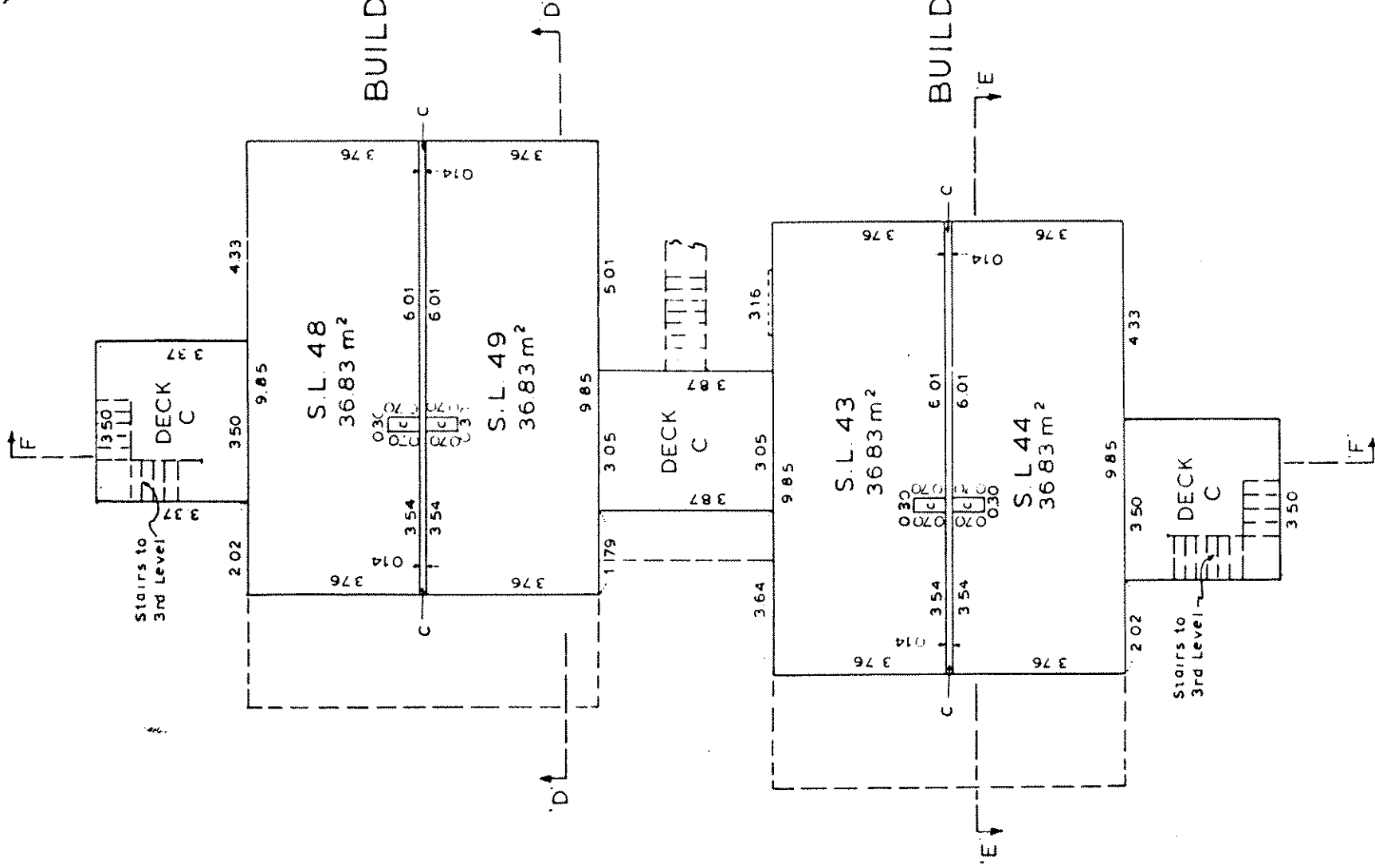
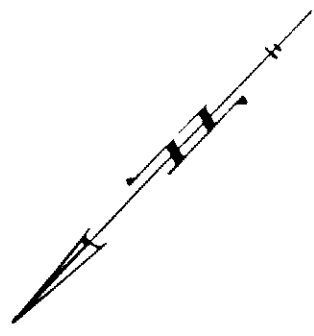
S-3907. ©

PHASE 1
BUILDINGS 'I' And 'J'

V.R.

LEVEL 2 :

SCALE: 1:100 (Metric)



acbb
November 28th 1984

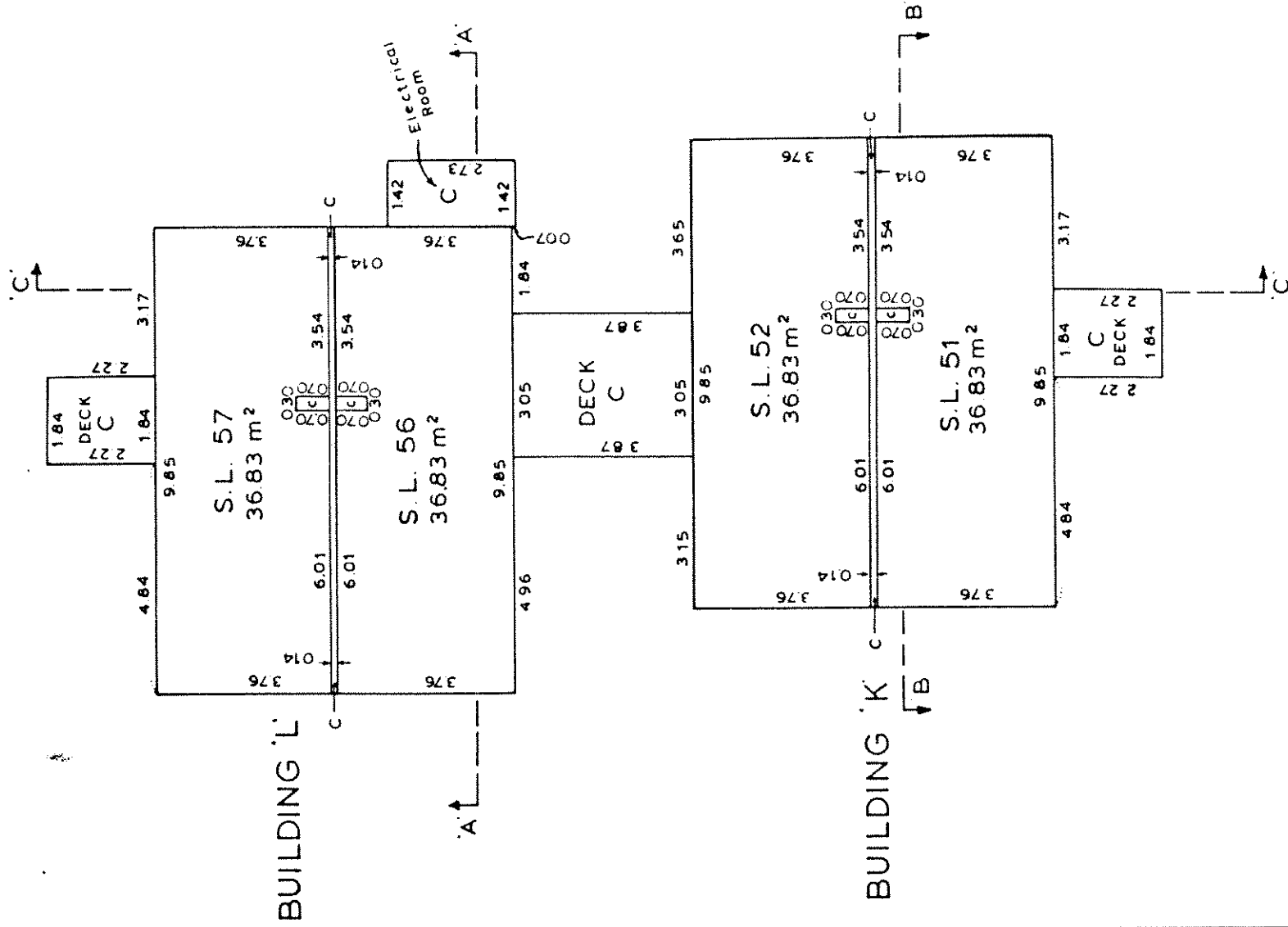
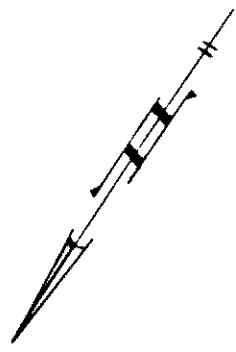
S-3907.0

V.R.

PHASE 1
BUILDINGS 'K' And 'L'

LEVEL 1 :

SCALE: 1:100 (Metric)



November 20th 1984

Handwritten signature

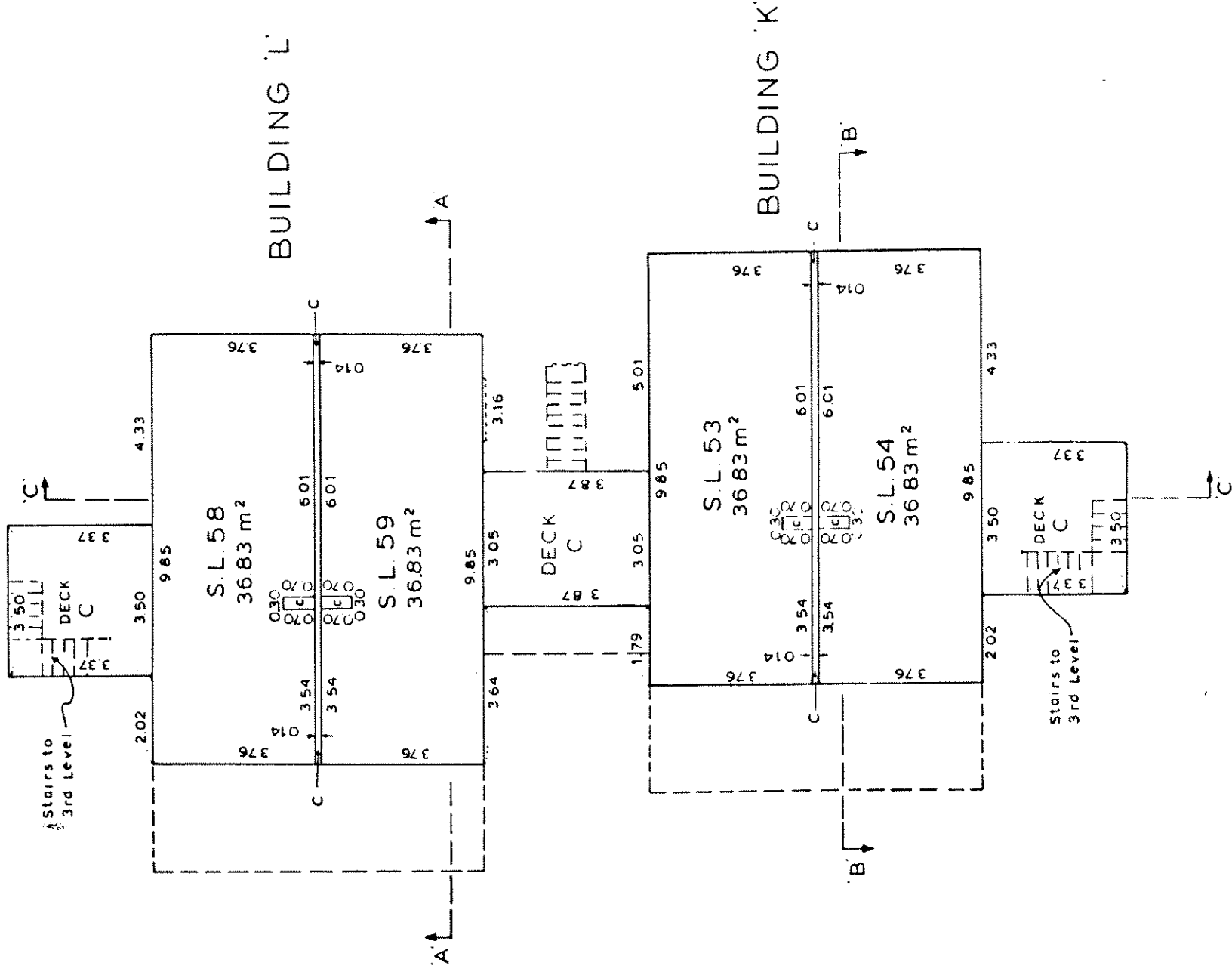
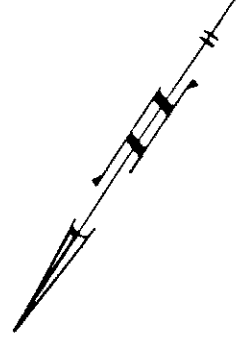
S-3907. ©

PHASE 1
BUILDINGS 'K' And 'L'

V.R.

LEVEL 2:

SCALE: 1:100 (Metric)



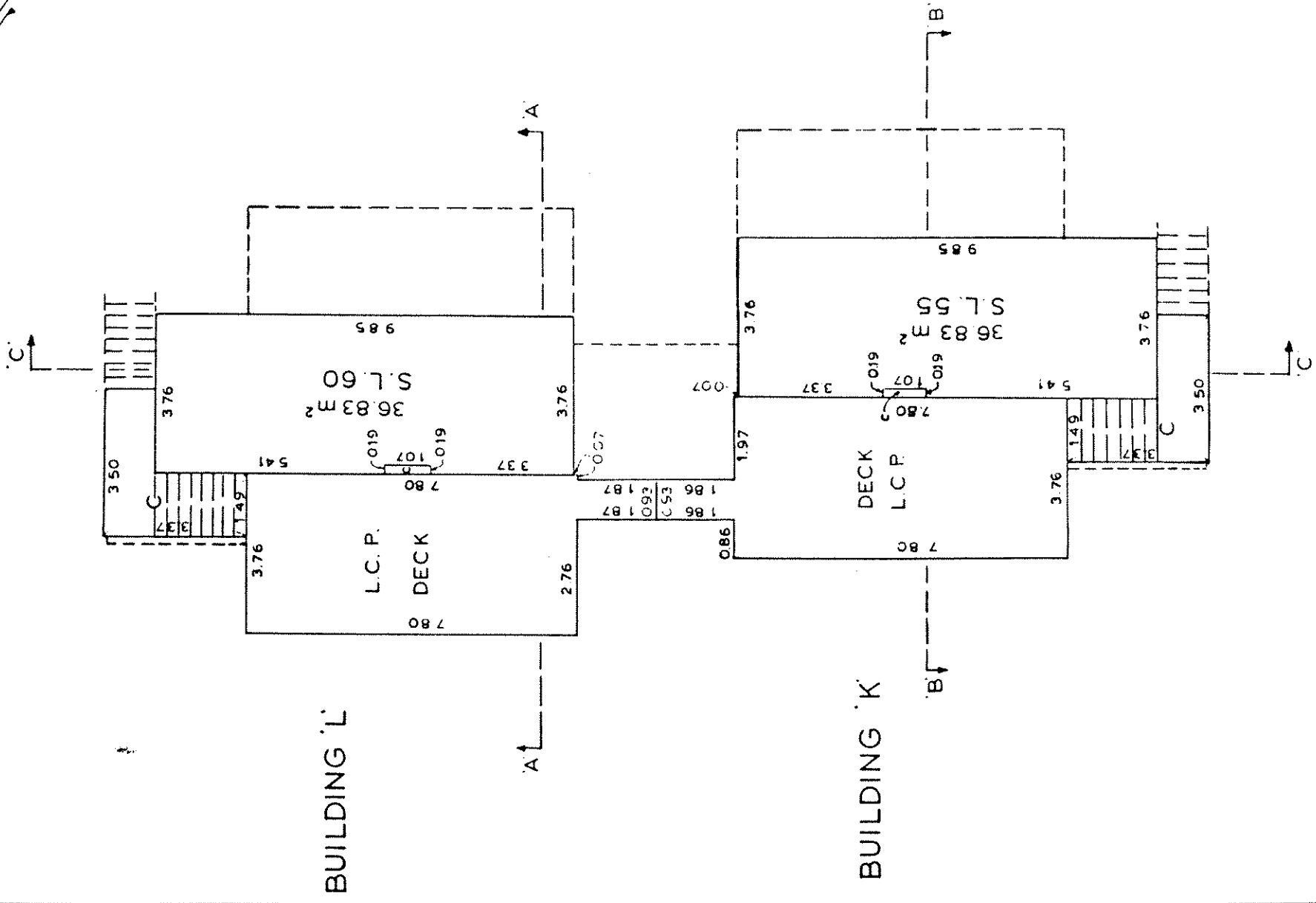
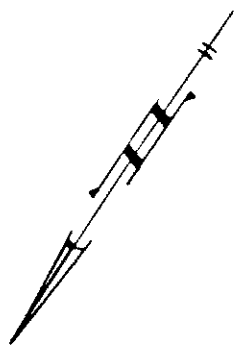
Handwritten signature

V.R.

BUILDINGS 'K' And 'L'

LEVEL 3:

SCALE: 1:100 (Metric)



42.03

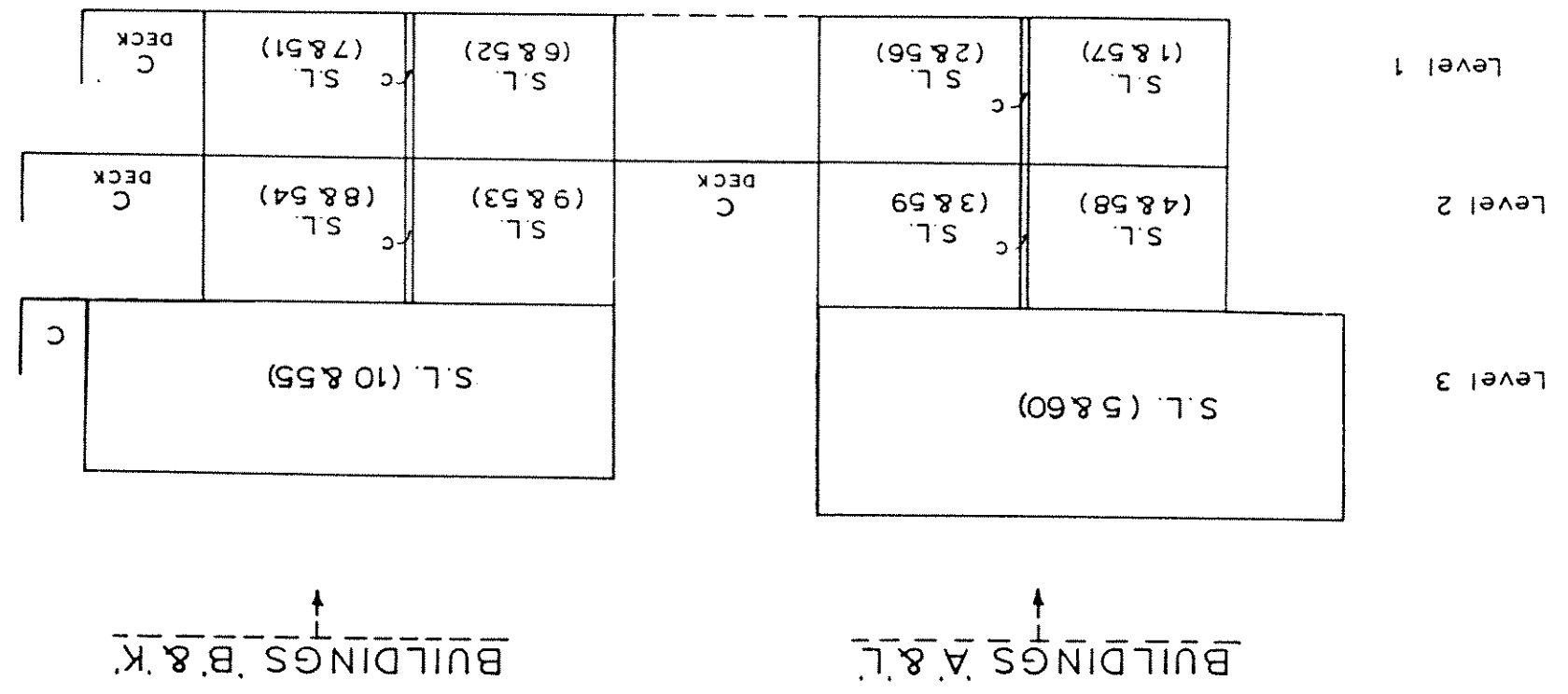
November 28th 1984
Bob

S-3907.0

PHASE 1
BUILDINGS 'A', 'B', 'K' & 'L'
SECTIONS:

V.R.

SCALE: 1:100 (Metric)



SECTION C - C
- (Typical for Buildings A, B, K & L)

Rob
November 28th 1984

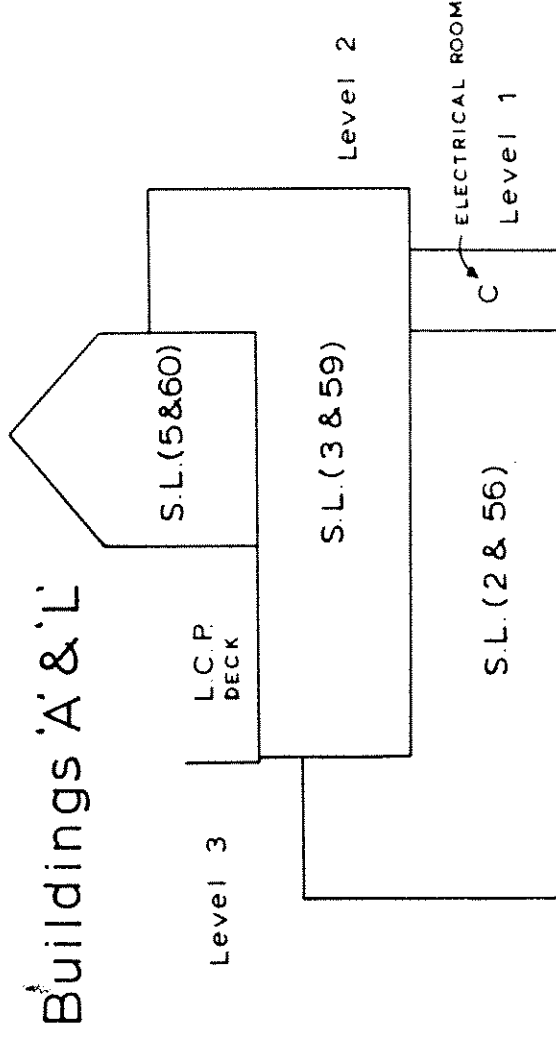
S-3907. ©

PHASE 1
BUILDINGS 'A','B','K' & 'L'

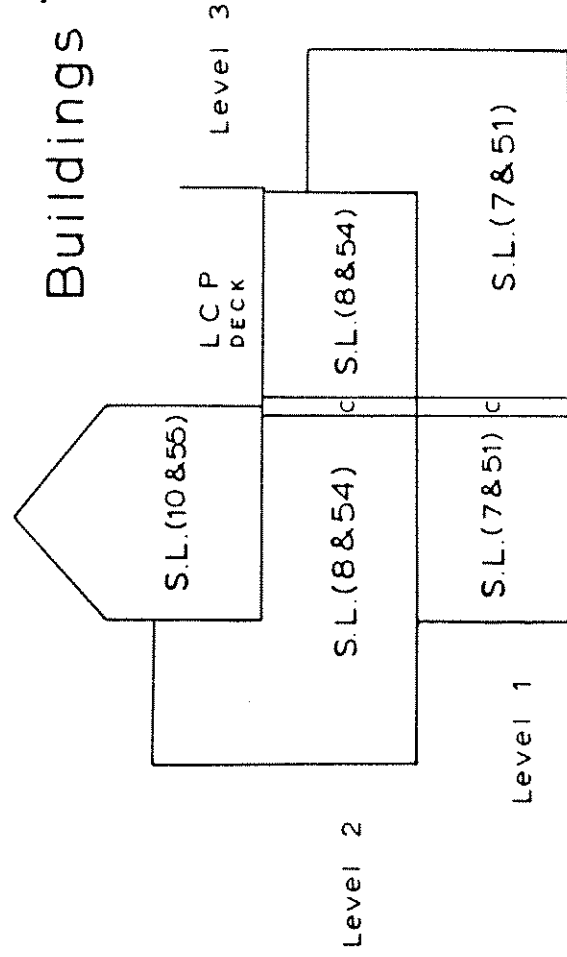
V.R.

SECTIONS :

SCALE: 1:100 (Metric)



SECTION 'A'-'A'
(Typical for Buildings 'A' & 'L')



SECTION 'B'-'B'
(Typical for Buildings 'B' & 'K')

PHASE 1

Sheet 25 of 30 Sheets
STRATA PLAN

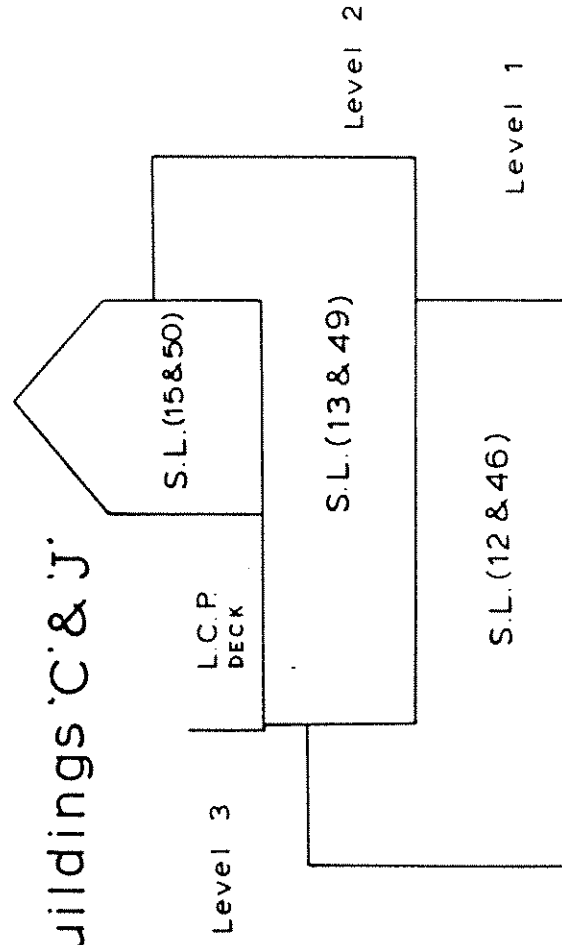
BUILDINGS 'C', 'D', 'I' & 'J'

V.R.

SECTIONS :

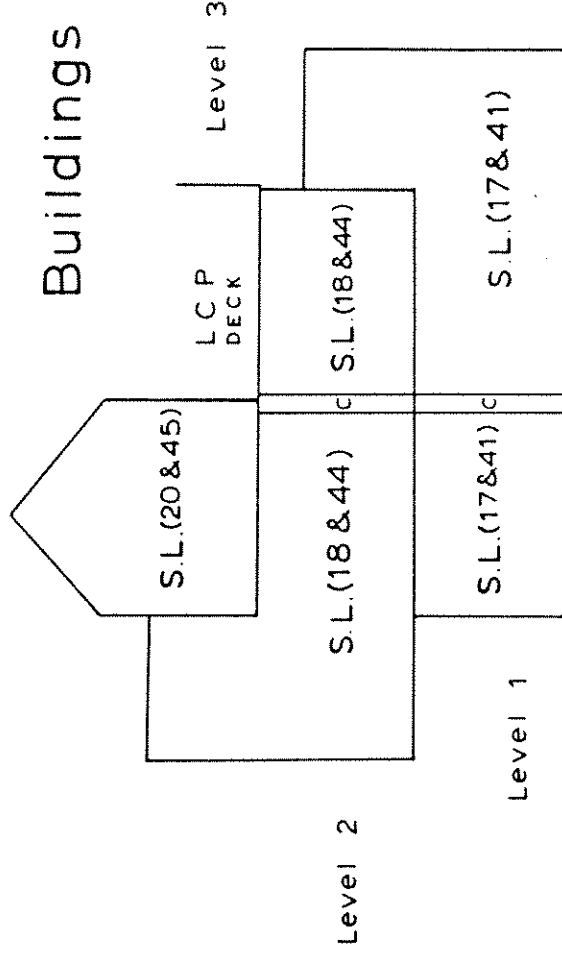
SCALE: 1:100 (Metric)

Buildings 'C' & 'J'



SECTION 'D'-'D'
(Typical for Buildings 'C' & 'J')

Buildings 'D' & 'I'



SECTION 'E'-'E'
(Typical for Buildings 'D' & 'I')

cab
November 28th 1984

S-3907. ©

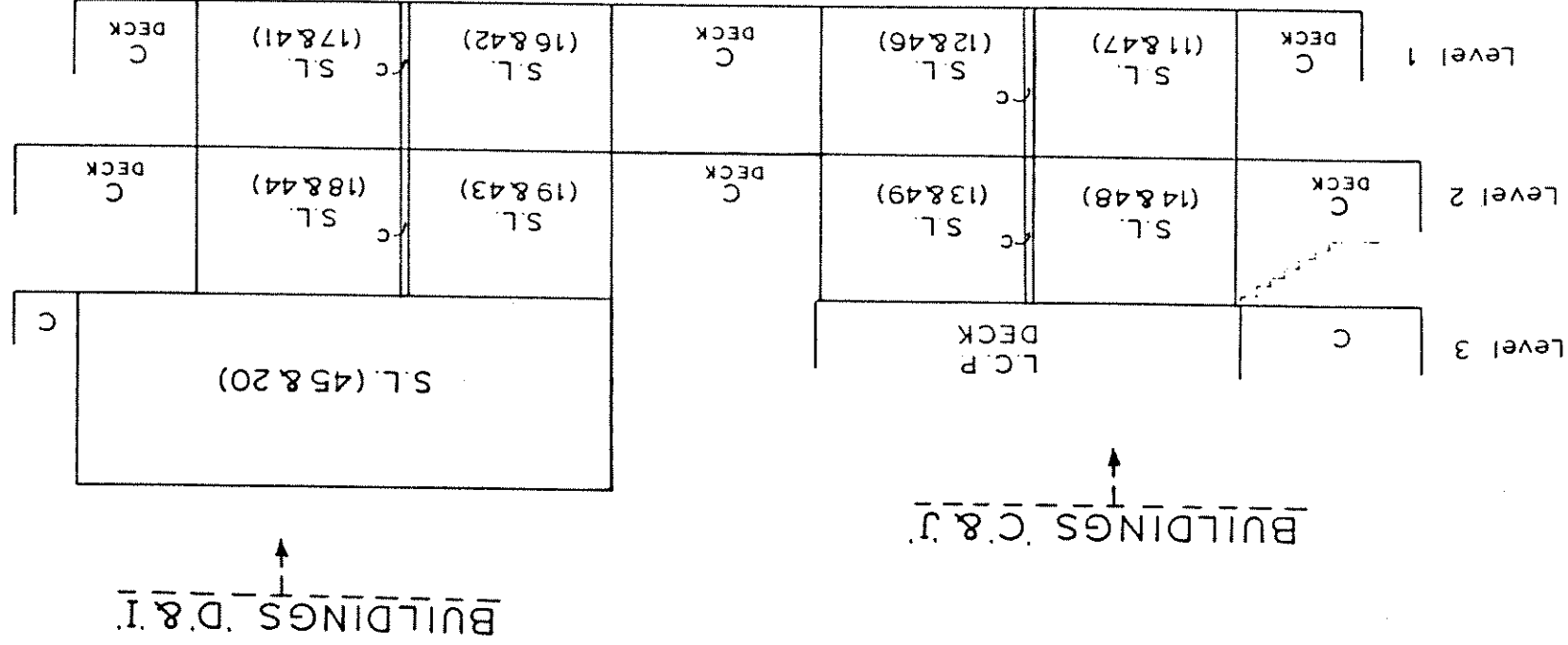
V.R.

PHASE 1

BUILDINGS C, D, I & J

SECTIONS:

SCALE: 1:100 (Metric)



(Typical for Buildings C, D, I & J)

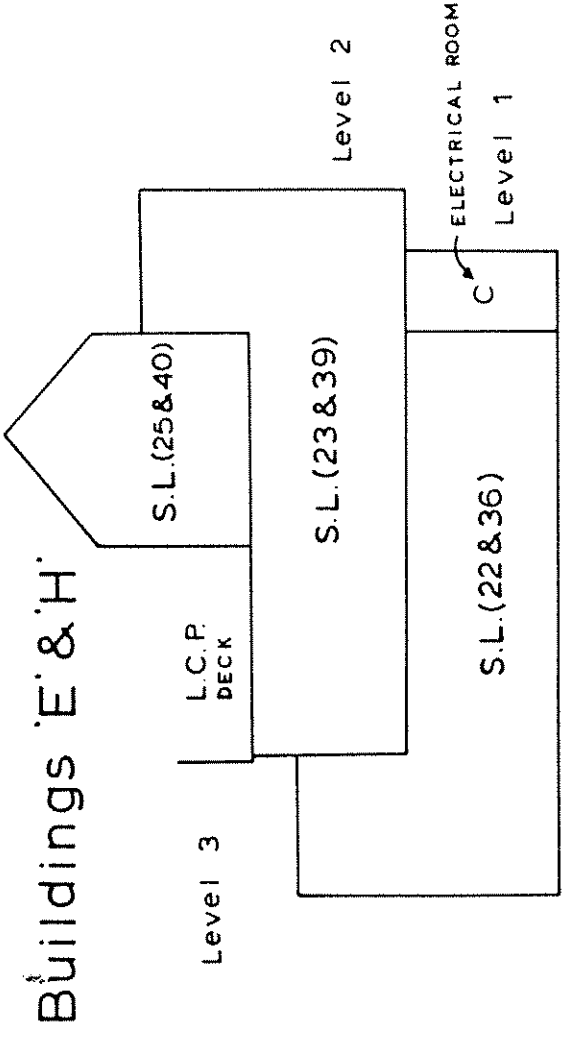
November 26th 1984

S-3907.0

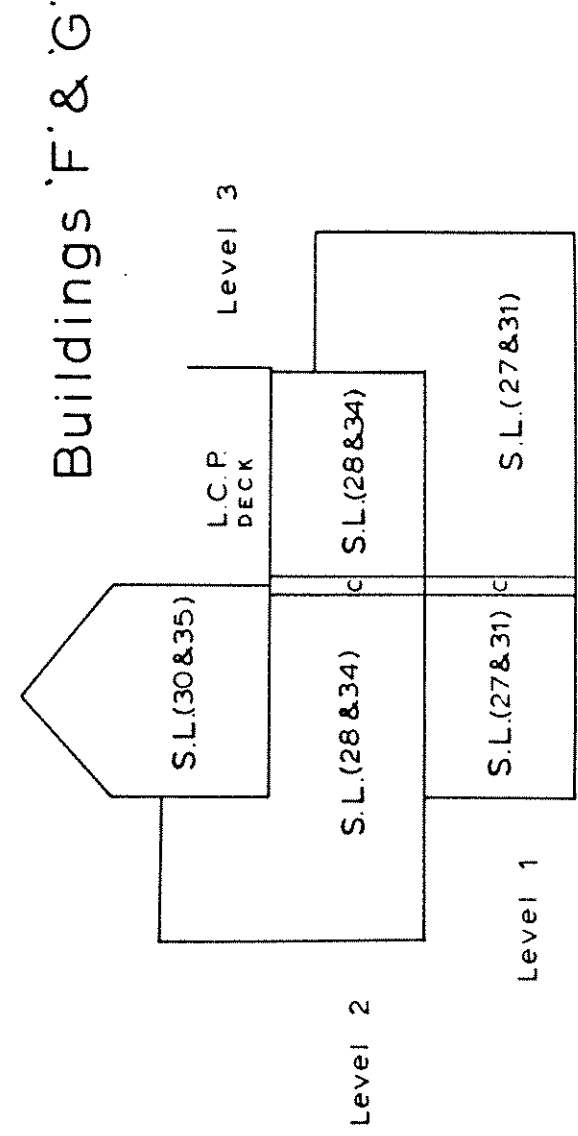
PHASE 1
BUILDINGS 'E', 'F', 'G' & 'H'

SECTIONS:

SCALE: 1:100 (Metric)



SECTION 'G'-'G'
(Typical for Buildings 'E' & 'H')



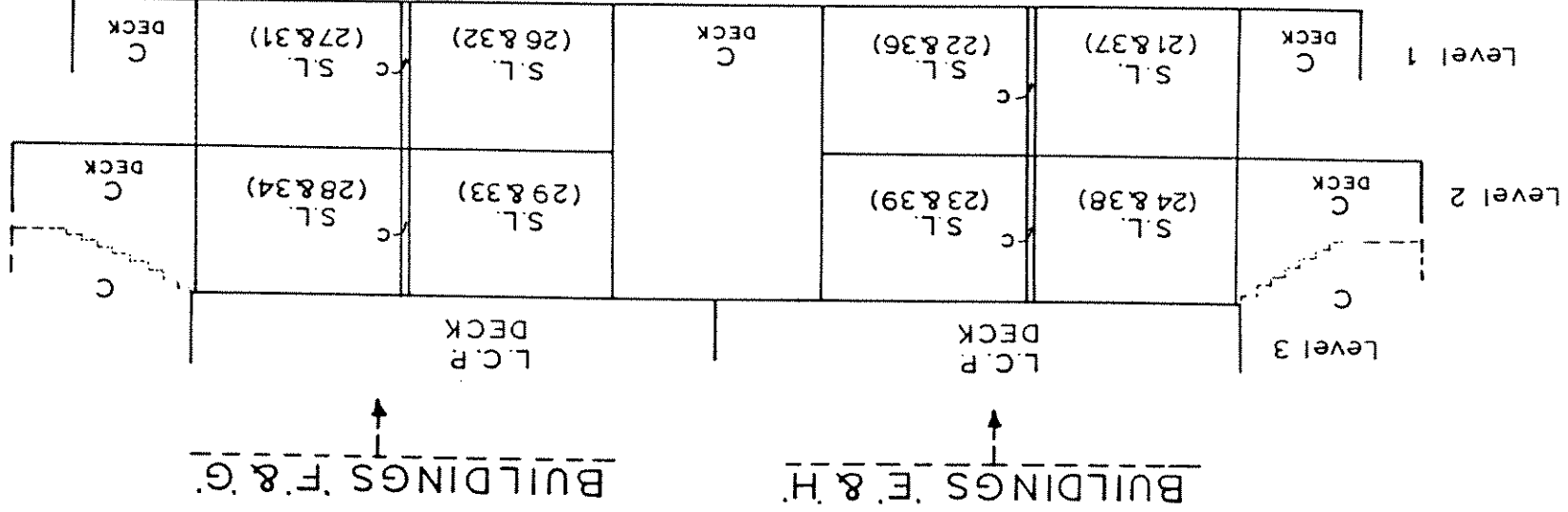
SECTION 'H'-'H'
(Typical for Buildings 'F' & 'G')

PHASE 1

BUILDINGS 'E', 'F', 'G' & 'H'

SECTIONS:

SCALE: 1:100 (Metric)



SECTION I - I
- (Typical for Buildings 'E', 'F', 'G' & 'H') -

amb

November 28th 1984

S-3907.0

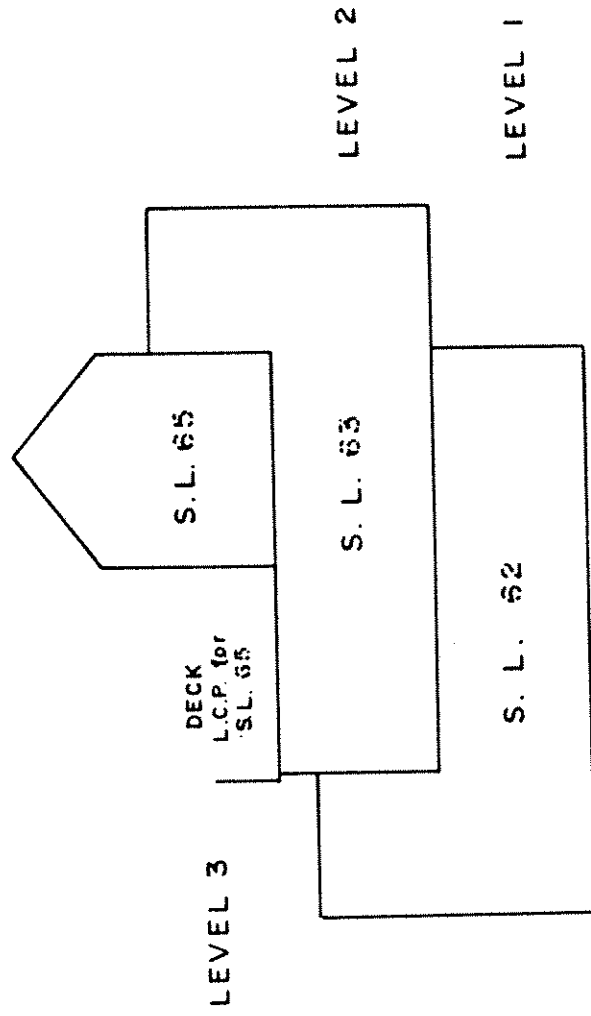
SECTIONS (TYPICAL - UNITS 'M', 'N' & 'U')

SCALE : 1 : 100 (Metric)

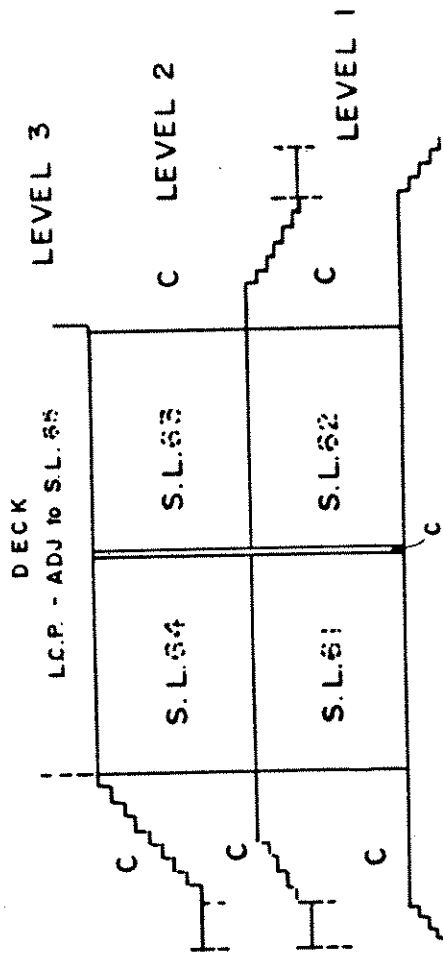
NOTE ON PHASES 2 and 3:

This sheet illustrates two sectional views of Building M, which is typical of Buildings M, N and U.

SECTION 'A'-'A'



SECTION 'B'-'B'

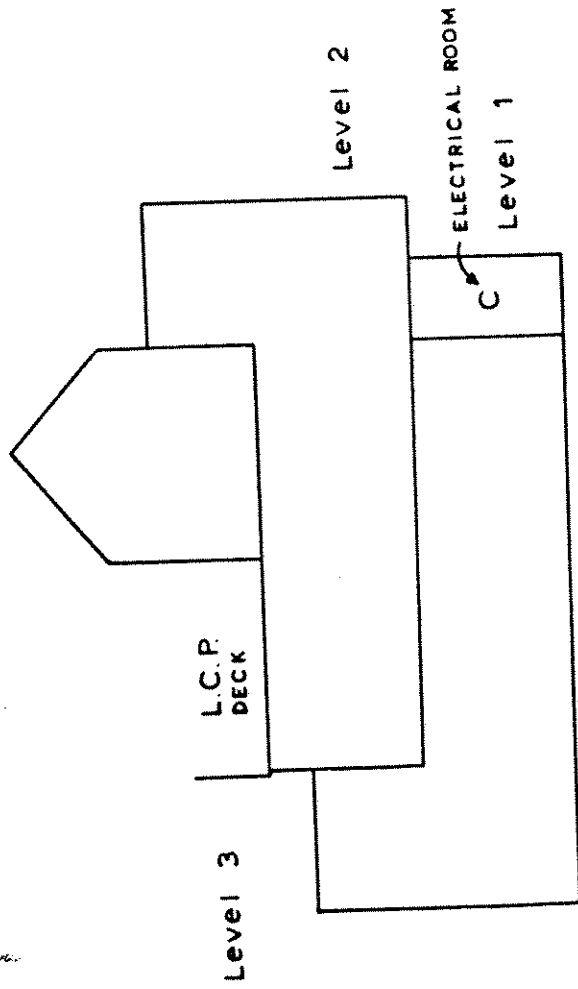


SECTIONS (TYPICAL)

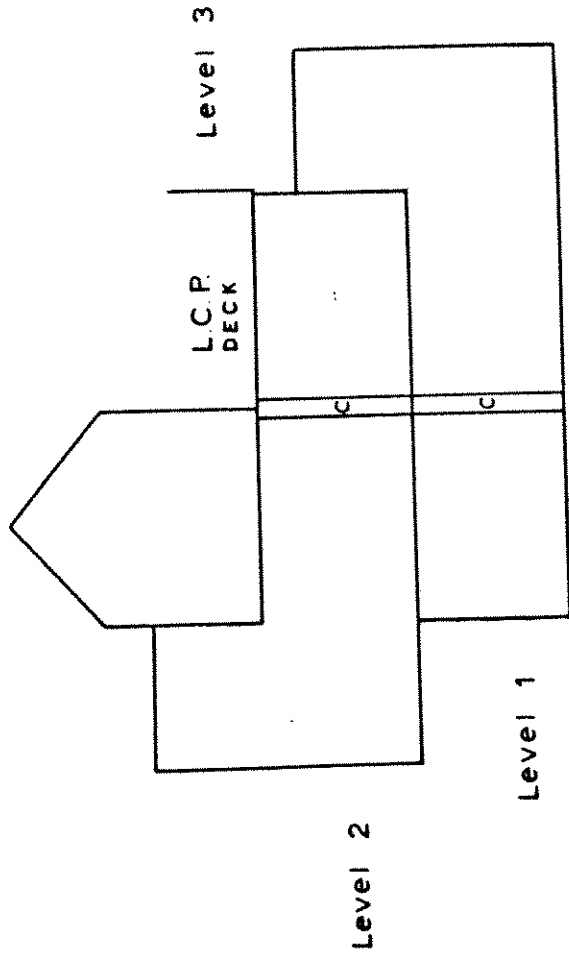
NOTE ON PHASES 2 and 3:

This sheet illustrates Sectional views of Buildings O and P which is typical of all Buildings except Buildings M, N and U.

SCALE: 1:100 (Metric)



SECTION 'A'-'A'



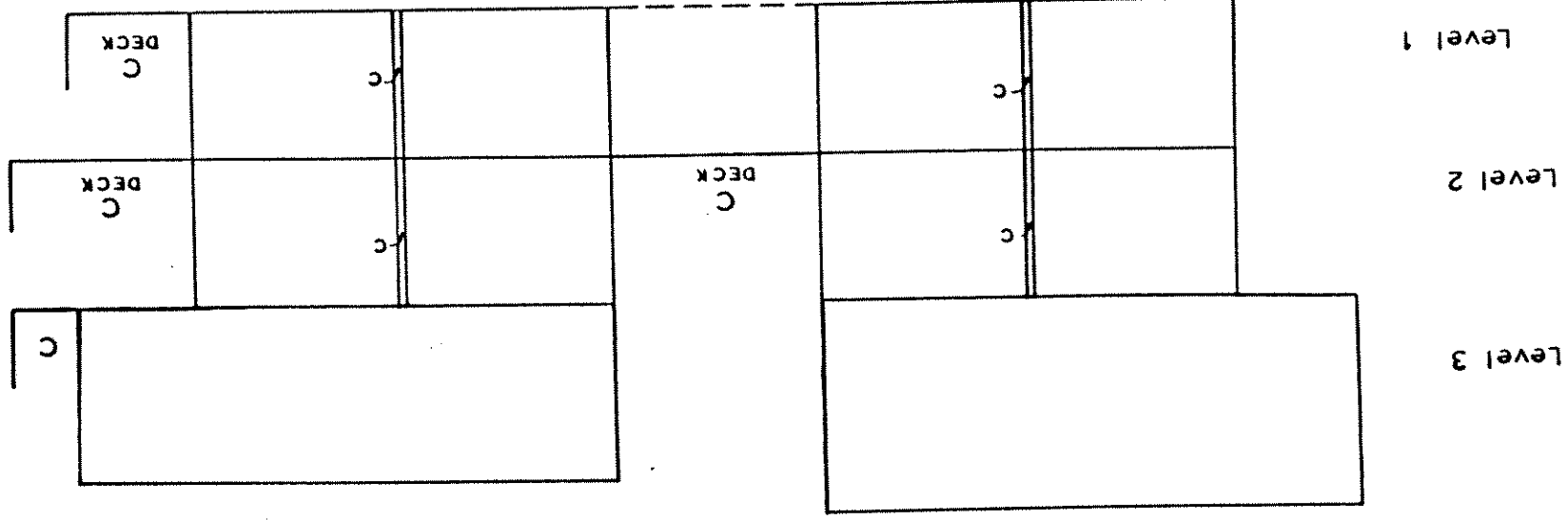
SECTION 'B'-'B'

SECTIONS (TYPICAL)

NOTE ON PHASES 2 and 3:

This sheet illustrates Sectional views of Buildings O and P which is typical of all Buildings except Buildings M, N and U.

SCALE: 1:100 (Metric)



SECTION C - C

November 28th 1984