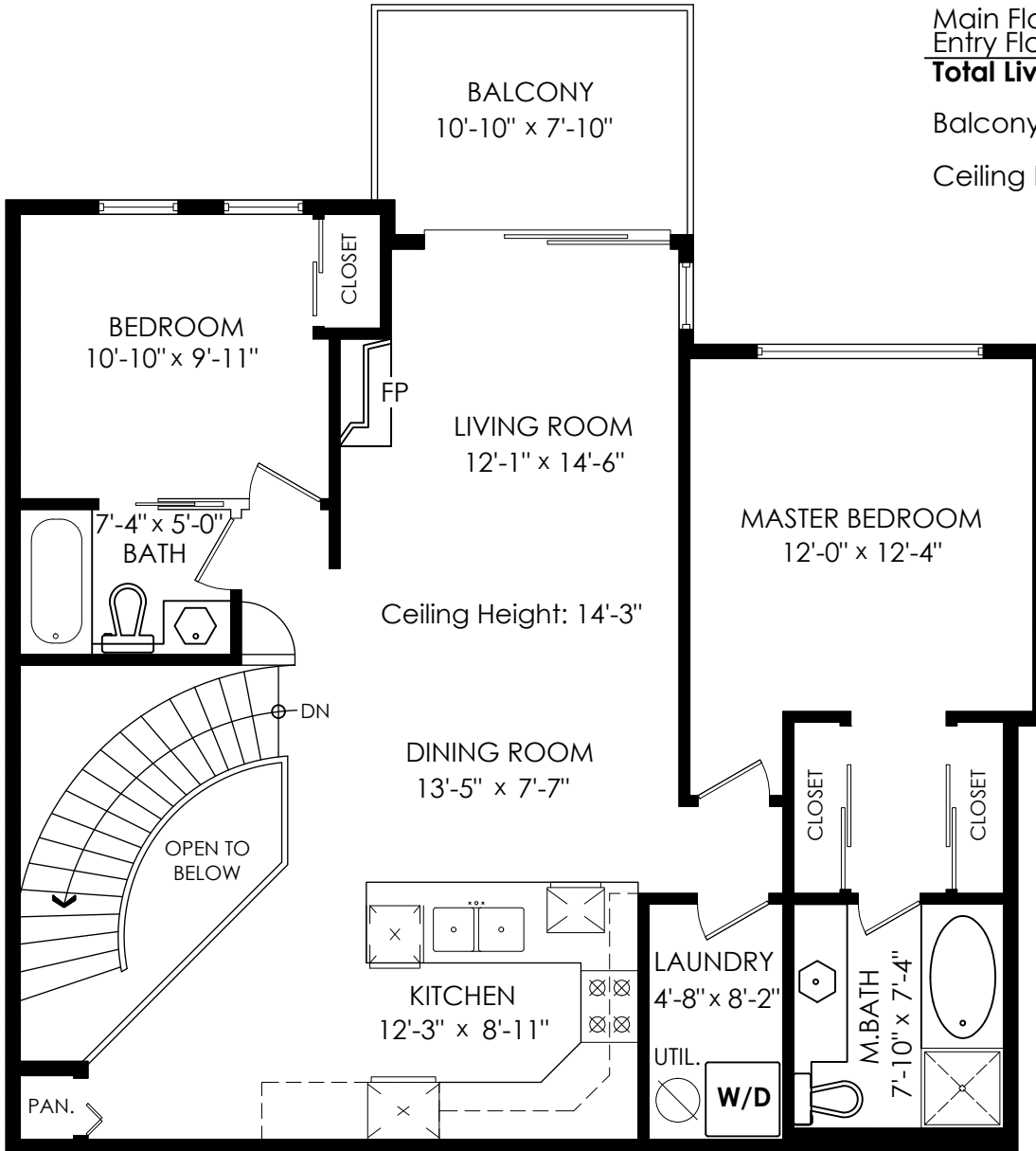
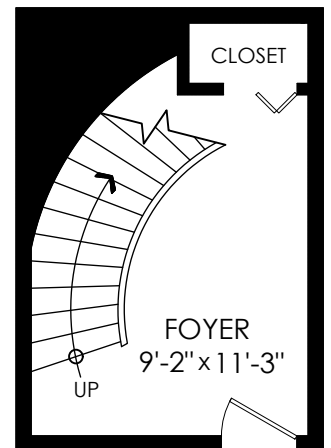




778-355-0116
 info@theaxfords.com
 www.theaxfords.com



Main Floor:	1,088 sq.ft.
Entry Floor:	149 sq.ft.
Total Livable:	1,237 sq.ft.
Balcony:	84 sq.ft.
Ceiling Height:	9'-0"



Main Floor Plan

Floor Area: 1088 sq.ft.

Entry Floor Plan

Floor Area: 149 sq.ft.



MEASURED ON: (2021-06-02)

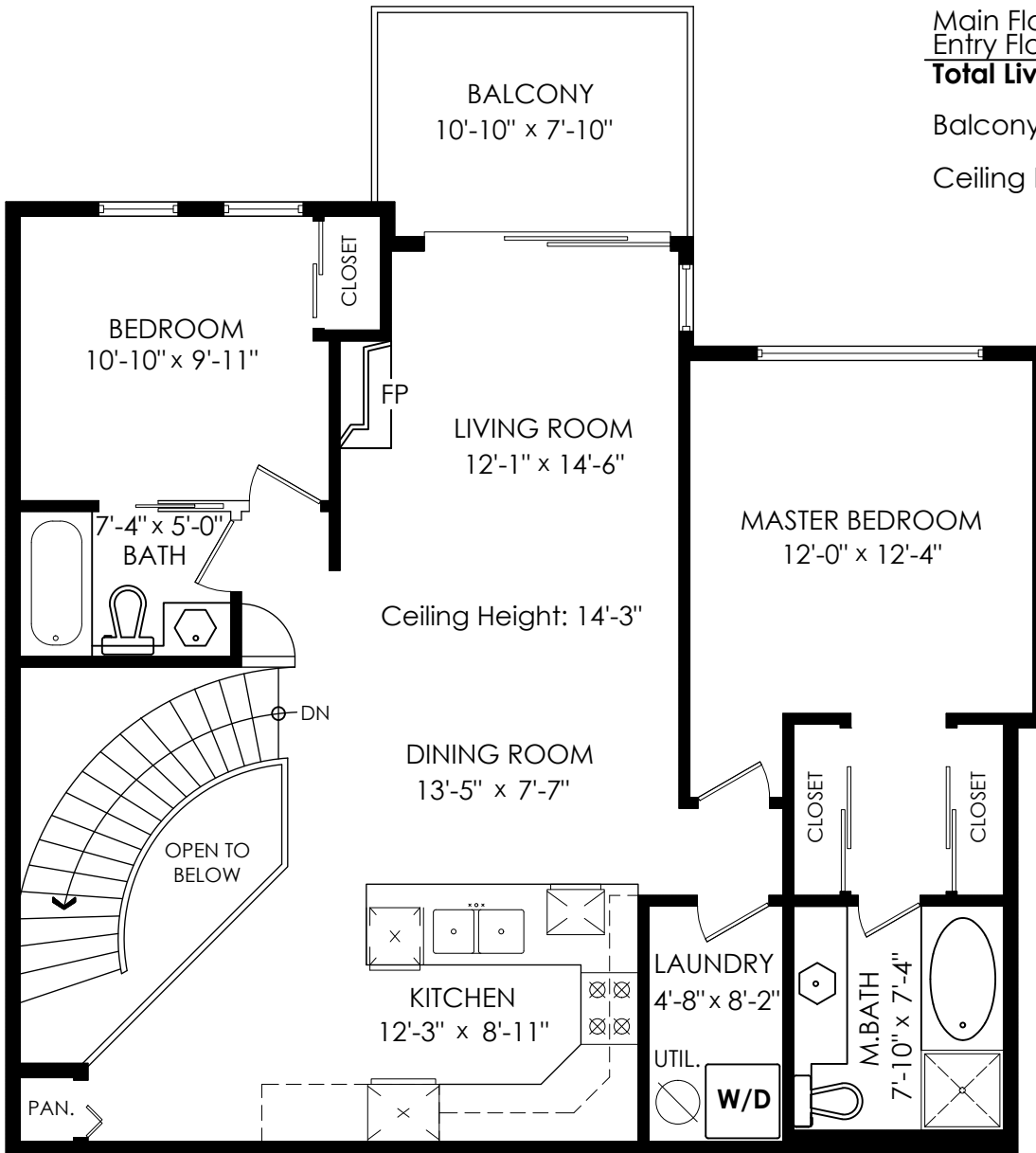
Measurements, Design & Scanning | 604-329-5788



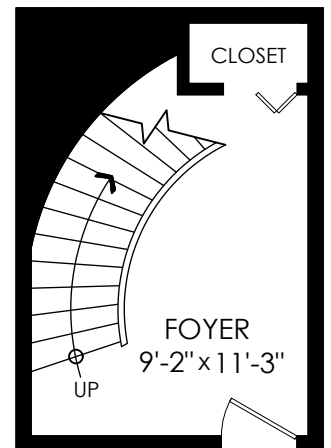
E&O Insured. Total square foot calculated to gross unit area. SQFT based on interior measurements to exterior walls, not taken from original blueprints, may include unfinished area. This is for marketing purposes only and is not intended for architectural/construction use. All details, sizes & placements should be considered approximate within +/- 2% tolerance. www.PixiWorks.com



318-3176 Plateau Blvd, Coquitlam



Main Floor:	1,088 sq.ft.
Entry Floor:	149 sq.ft.
Total Livable:	1,237 sq.ft.
Balcony:	84 sq.ft.
Ceiling Height:	9'-0"



Main Floor Plan

Floor Area: 1088 sq.ft.

Entry Floor Plan

Floor Area: 149 sq.ft.





Condos:

Total square footage is calculated to the middle of shared or adjoining walls and the outside of non-shared, exterior walls or common area walls. As the shared wall thickness is unknown, we assume a 12" fire wall and assign 6" to your unit for any wall that cannot be identified as exterior or hallway.

Room sizes are dimensioned to the inside of the walls. This is because you need to know what you can fit in that room. When you add up the total of the room sizes it will not equal the total square footage of the property. This method of adding up room sizes will not account for wall thickness, interior hallways, exterior wall thickness, closets and many other areas that are included in total sqft.

Any space that is not suitable for year-round use or has a ceiling height of less than 4 feet will not be considered living space. An example of this includes a deck, garage or attic. If there isn't heat, insulation or room for an adult to stand, then it will not be included in the living space.

Cantilevered fireplaces, chimneys and plant windows are also not considered living space.

Included in the living space will be the measurements for stair treads for the floor they service as well as the space under the lowest floor's stairs.

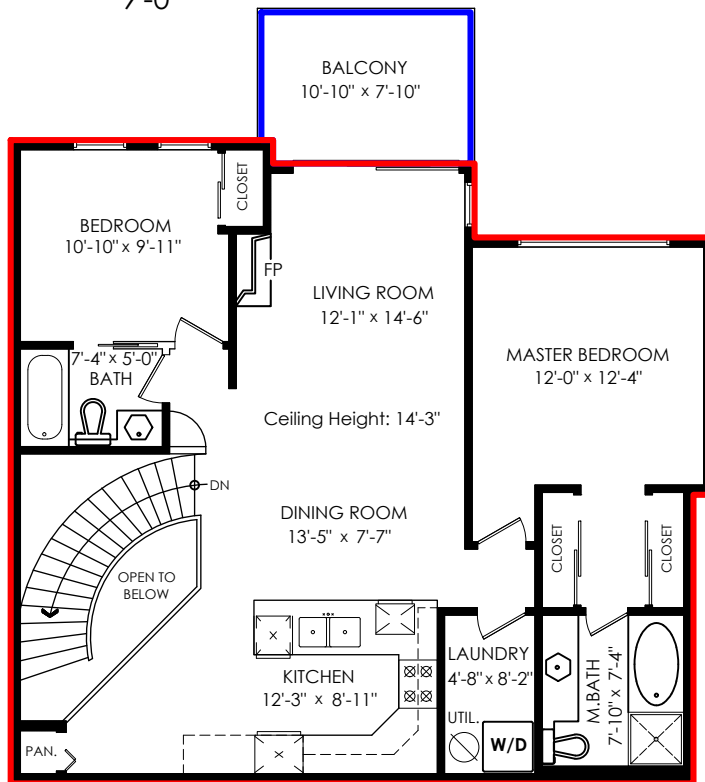
Areas open to the floor below (also known as double height ceilings) are not considered living space because there is no floor.

Main Floor: 1,088 sq.ft.
 Entry Floor: 149 sq.ft.
Total Livable: 1,237 sq.ft.

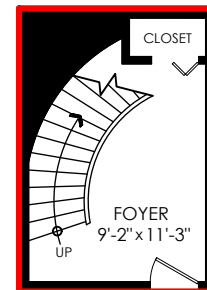
318-3176 Plateau Blvd, Coquitlam

Balcony: 84 sq.ft.

Ceiling Height: 9'-0"



Main Floor Plan
 Floor Area: 1088 sq.ft.



Entry Floor Plan
 Floor Area: 149 sq.ft.